


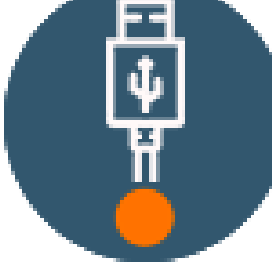


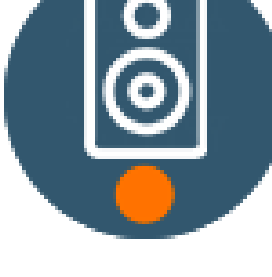



SOLAR SMART TRASH




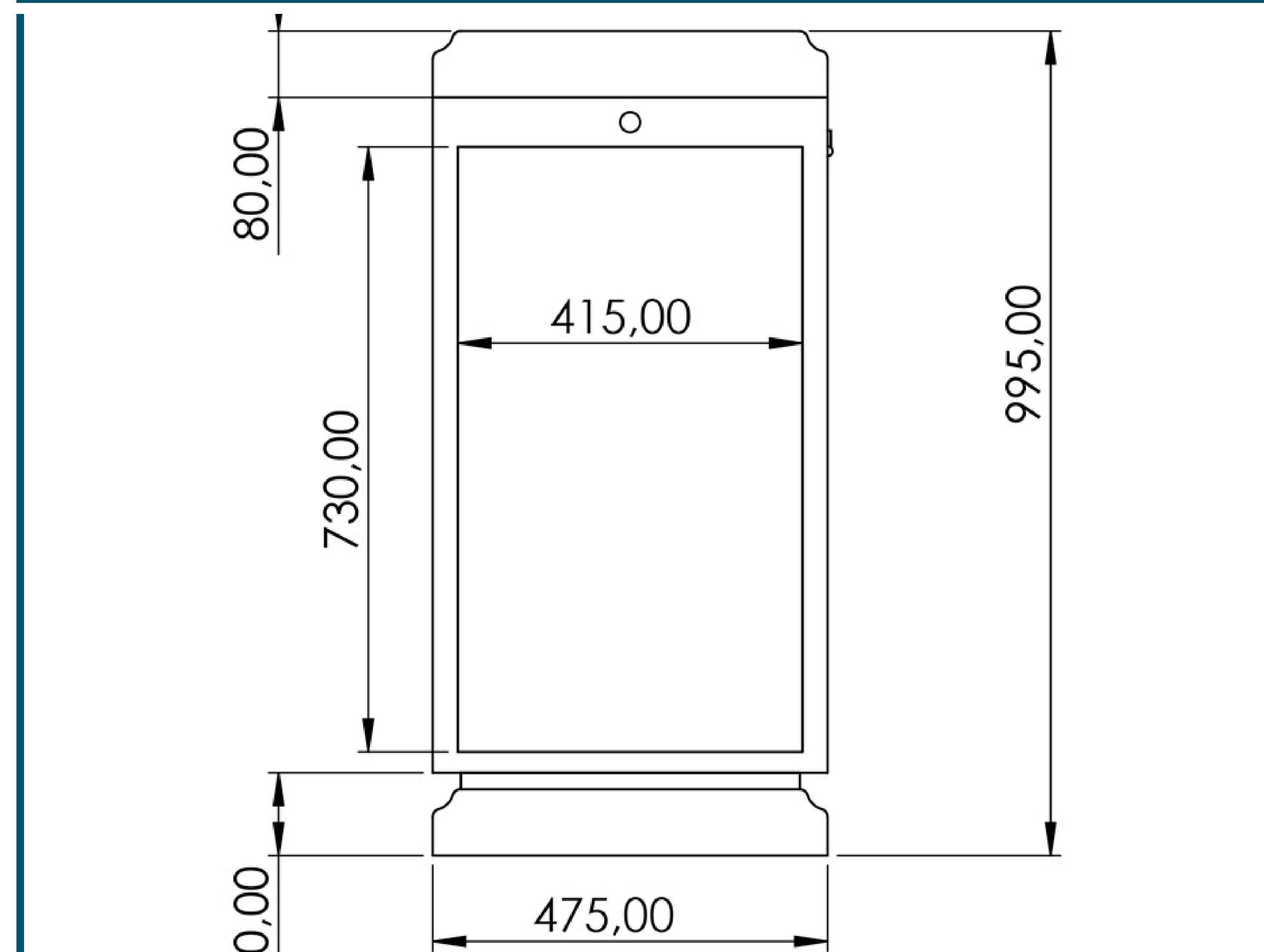
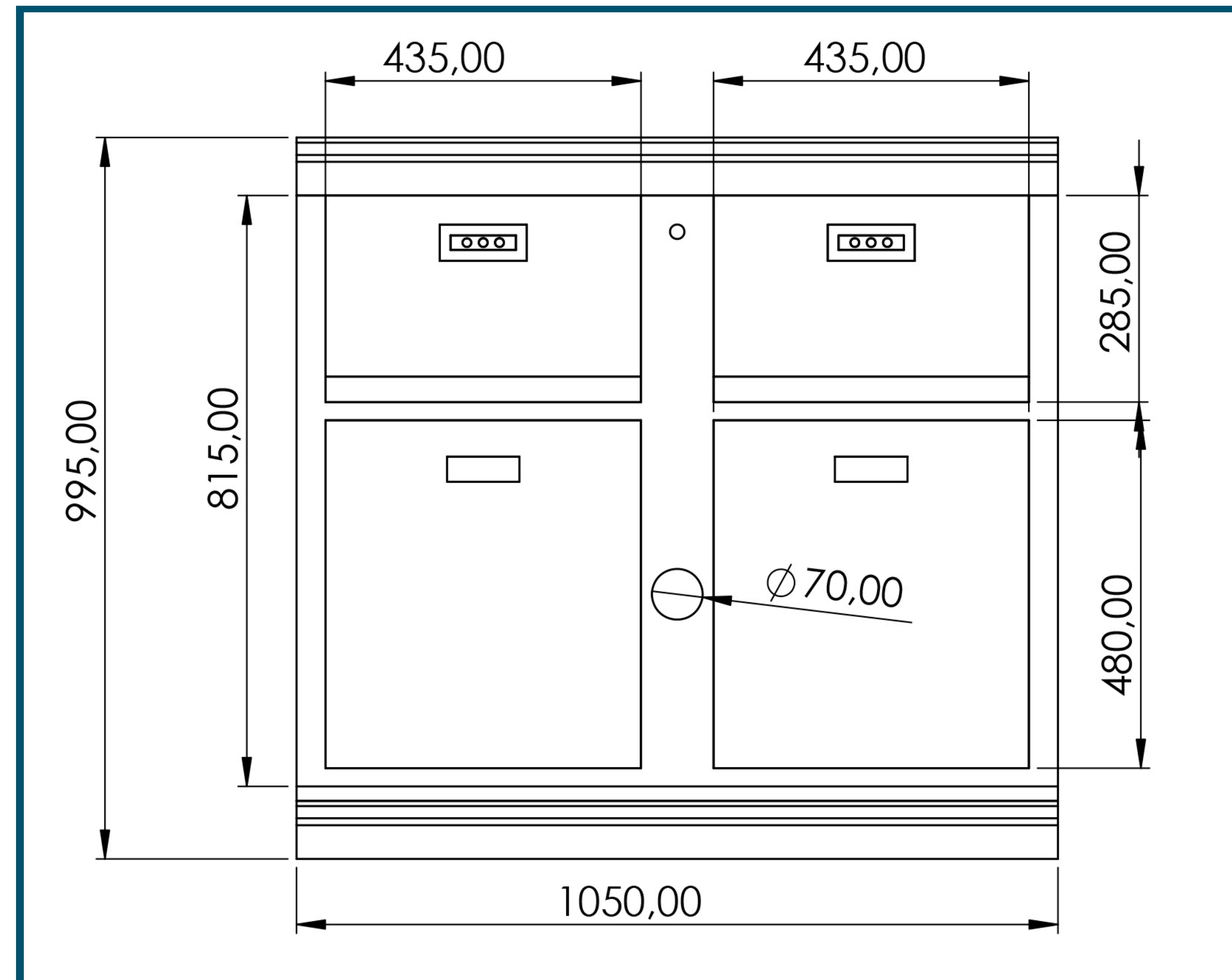
WYB2004

DATA SHEET

-  Solar panel
-  Gel battery/LifePO4/Lithium
-  Controller MPPT
-  USB charging ports
-  Wireless charging
-  LED Strip/Spot Light
-  Bluetooth speaker
-  4G International router

Properties

MODEL NUMBER	WYB2004	Appearance	
DIMENSIONS	L-105*W47*H95.5		
N.W	150KG		
G.W	170KG		
CERTIFICATE	CE / ISO		
FUNCTION	In sunlight mode, the product will charge a built-in battery by a solar panel, and then provide energy for phone chargers, lights and advertising display. Optional smart city with our platform.		
Material	STAINLESS STEEL #304		
Solar panel	MONOCRYSTALLINE SILICON WITH TEMPERED GLASS		
Solar Power	50W + HYBRID ELECTRICITY POWER		
AC POWER	AC POWER INVERTER: YES		
CONTROLLER	MPPT CONTROLLER		
Battery type	GEL/LIFEPO4/LITHIUM BATTERY		
Working temp	-20C-40C/-20C-65C		
Battery capacity	12V / 35AH		
Capacity	70L*2		
Sensor automatic door	3 PCS		
LED indicator light	2PCS		
Wifi router	4G/INTERNATIONAL ROUTER/		
Bluetooth speaker	BLUETOOTH SPEAKER 5/12V		
Digital display/LED screen	LED SCREEN, 2PCS P2.5		
Disinfection	YES		
Adlis smart platform	OPTIONAL - contact: mori@adlissmart.com for more information		
LED LIGHT BOX	OPTIONAL		
10 mm tempered glass	NO		
Large LED light box	NO		
NVIDIA Jetson Box	OPTIONAL		
SOS security	SOS BUTTON: OPTIONAL		
Network broadcast	OPTIONAL		
Smart voice	OPTIONAL		
Bin compressor	NO		
Smart camera	NO		
Battery message	The controller works well above-40C. while the working efficiency of battery is getting less and less under 0C, when -10C it already doesn't work. Yet after the temperate rises back to over 0C, it will work again. Therefore, in very cold winter the chargers on bench don't work. In good sunshine, the battery is fully charged in about 7-8 hours.		



A. Description and function:

The Adlis Solar Mobile Charging Bus shelter is perfect for short term mobile multi-taskers or a connection space for focused tasks. its charges 2 devices simultaneously. Works with all Apple, Android and other popular devices.

B. Intended use:



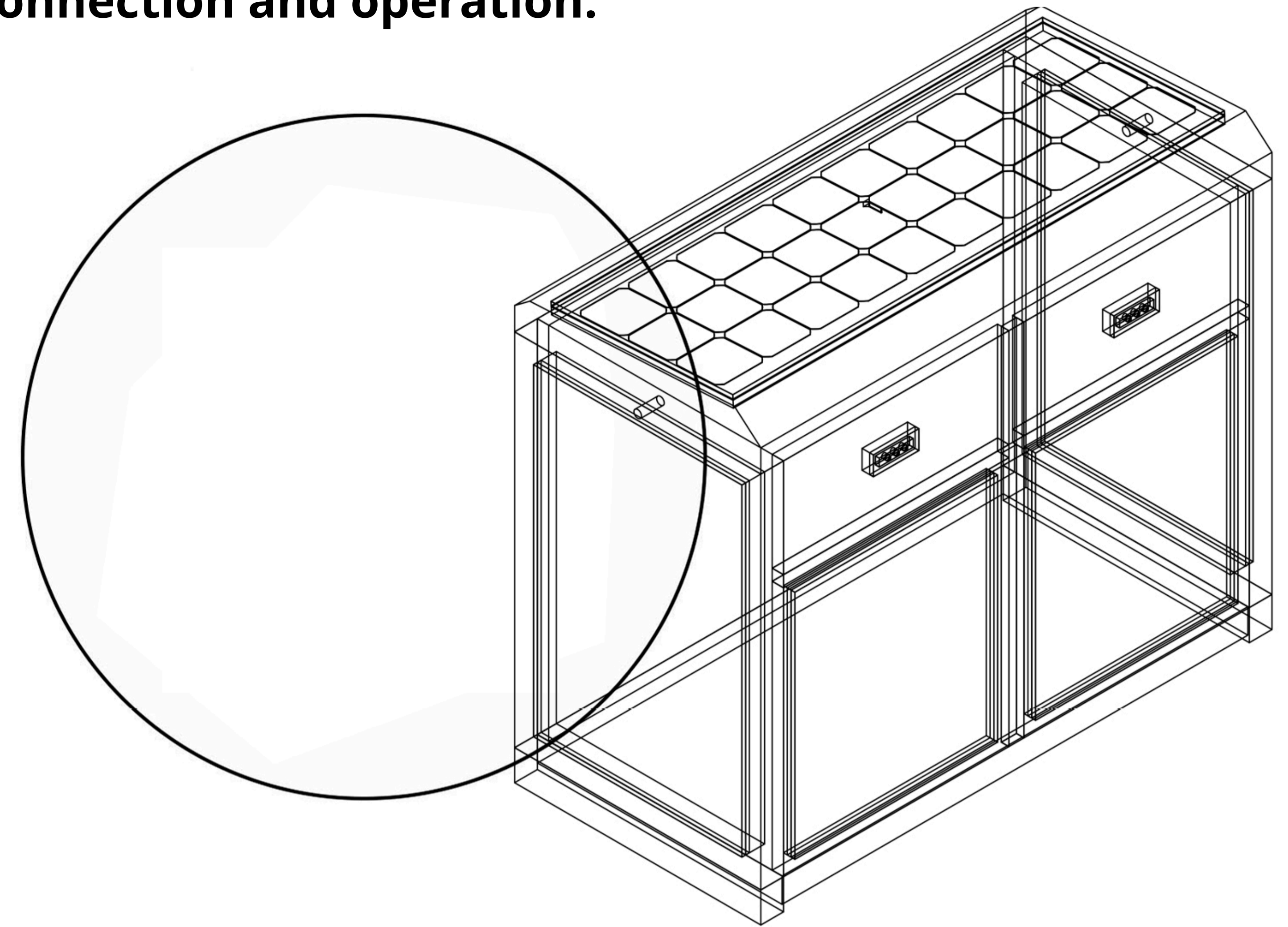
This product is for external use only. Please place it on a flat floor and away from any shade. If in the shade, the solar panel will not function effectively.

C. Package Content:

- 1 unit Adlis Solar Bench Smart
- 1 pc manual
- 1 set of expansion screw

D. Security instructions

E. Connection and operation:



F. Care, Maintenance, Storage and Transport:



ATTENTION

We recommended that a qualified person use it to assemble and disassemble the product to avoid any risk of product deterioration.

The product is self-service, meaning users do not need help charging their device

Read carefully and follow the safety instructions for handling, maintenance, storage and transport.

We recommended using the original packaging for transportation to protect the product from dust and moisture.

WE ARE NOT RESPONSIBLE FOR DAMAGE TO PEOPLE OR PROPERTY CAUSED BY IMPROPER INSTALLATION OR OPERATION THAT IS NOT DESCRIBED IN THIS MANUAL. ANY CHANGE AND/OR MODIFICATION TO THE PRODUCT OR ITS ACCESSORIES IMMEDIATELY CANCELS THE WARRANTY.



WARNING!

We recommended that a qualified person use it to assemble and disassemble the product to avoid any risk of product deterioration.

We provide a two-year conditional warranty for this device from the date of purchase

The warranty also does not cover accidental damage or vandalism caused to the products

The warranty also does not cover the charging cables. We have no control over how users treat the cables. Once the product is installed on your premises, replacement cables can be purchased at an additional cost.

WE ARE NOT RESPONSIBLE FOR DAMAGE TO PEOPLE OR PROPERTY CAUSED BY IMPROPER INSTALLATION OR OPERATION THAT IS NOT DESCRIBED IN THIS MANUAL. ANY CHANGE AND/OR MODIFICATION TO THE PRODUCT OR ITS ACCESSORIES IMMEDIATELY CANCELS THE WARRANTY.



INSPIRATION
NEW
ADLIS SMART
NEW
CONCEPT

We don't make the future, we make the future better.



www.adlissmart.com

INSPIRATION
NEW
CONCEPT
NEW




We don't make the future, we make the future better.

www.adlissmart.com





REMARKS: ALL PRODUCTS ARE PACKED IN POLYWOOD BOXES.

BRANDS AND NUMBERS	PROPERTY DESCRIPTION	UNITS	UNITS/CTN	CTNS	G.W. KGS	N.W. KGS	MEAS (CM)
	WYB2004	1	1	1	170 KG	150 KG	113*55*108
Total		1	1	1	170 KG	150 KG	0.59CBM

This packing detail is for 1 Pc sample, for bulk order the detailed packing details we be provided before shipment.

CONTACT US



E-MAIL:

sales@solarbenchchina.com

E-MAIL:

info@adlissmart.com

PHONE:

0086 13823126631

WEB:

www.adlissmart.com

www.solarbenchchina.com