



ADLIS
WEIYIN
Official Manufacturer

WYB2005A

CATALOGUE

www.adlissmart.com

DESCRIPTION

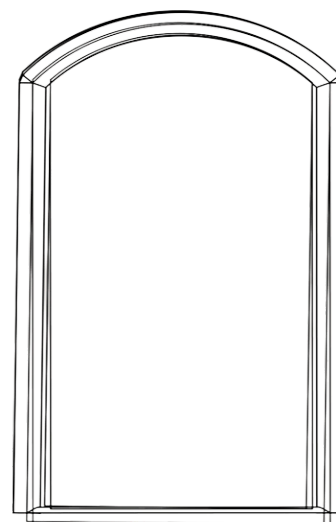
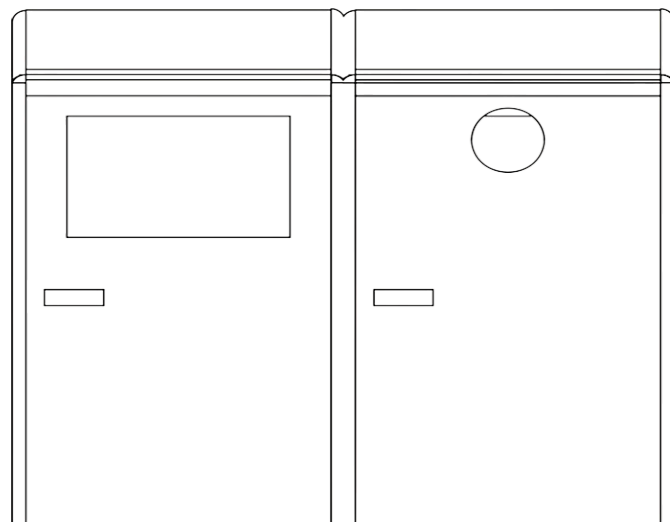
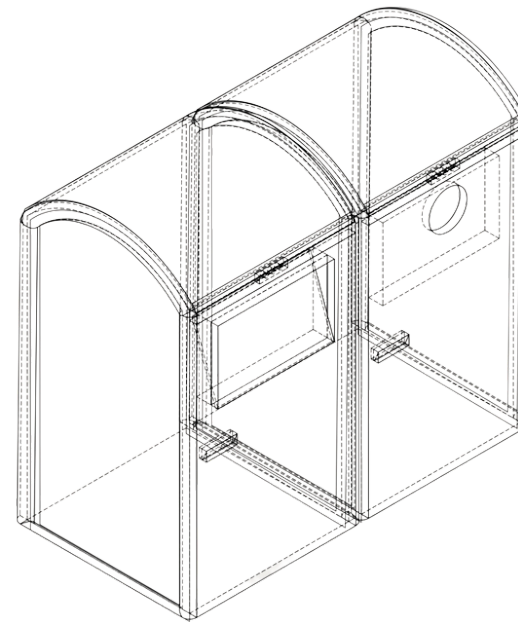
Solar Smart Trash is made of corten steel
120LX2

Stainless Steel #304

Option Stainless Steel #316

Solar Panel: 40WX2

WIFI Router 4G



WYB2005A

Smart Solar Trash

Bench is made of corten steel

Stainless Steel #304

Thickness 2-4 mm

www.adlissmart.com

FINISHES

Plexus box - 1055 2P USB 5V 2.1A)

Stainless Steel #304

Thermo lacquered in choice of RAL

Dimensions: D1340mm x 670 x H1280 - WEIGHT:250Kg





ADLIS SMART

The importance of always creating something new, designing new concepts allows Adlis Smart to remain a leader in the production of Smart Street Furniture.



OUR MODEL, OUR IDEA

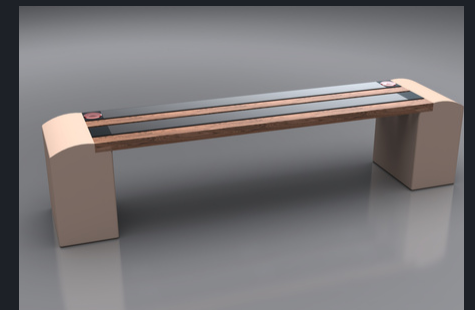
WYB2005A is part of our Solar Smart Trash collection, a simple design that fits anywhere. Comfortable, personalized, it comes with all the necessary components to facilitate any communication and information.



WYB2005A offers several options to choose from. possibility of changing measurements, increasing the power of the solar panel and others.

WYB2005A for assembly offers other options such as smart voice, digital display with hybrid system, SOS system and our Platform Smart City AI management system.

WYB2005A is our collection of Solar Smart trash. Made of #304 stainless steel, we offer standard system and standard system + options (Smart City AI Platform). Includes solar panel, battery, MPPT controller, WIFI, Spot Led Light, charger and others. We offer digital screen options with hybrid system, indoor options without solar panels, Smart Voice and much more. Ground anchoring device and steel casing - resistance to vandalism.



WYB2005A

Material: Stainless steel #304

Dimensions: L-134*W67*H128

Solar Panel: 40W X 2

Battery capacity: 12V, 20AH X2

Controller Type: MPPT

Weight: estimated 250kg

Capacity: 120LX2

Sensor automatic door: 2pcs

LED indicator light: 3pcs

Bin compressor: 400KG TO 700KG COMPRESSION

Disinfection: YES

Bluetooth speaker: 5/12V

Wi-Fi: 4G international router

Optional

Platform Adlis Smart City AI

Smart Voice

Smart camera

Bin Compactor

Sensors (CO2, Noise, waterproof etc.)

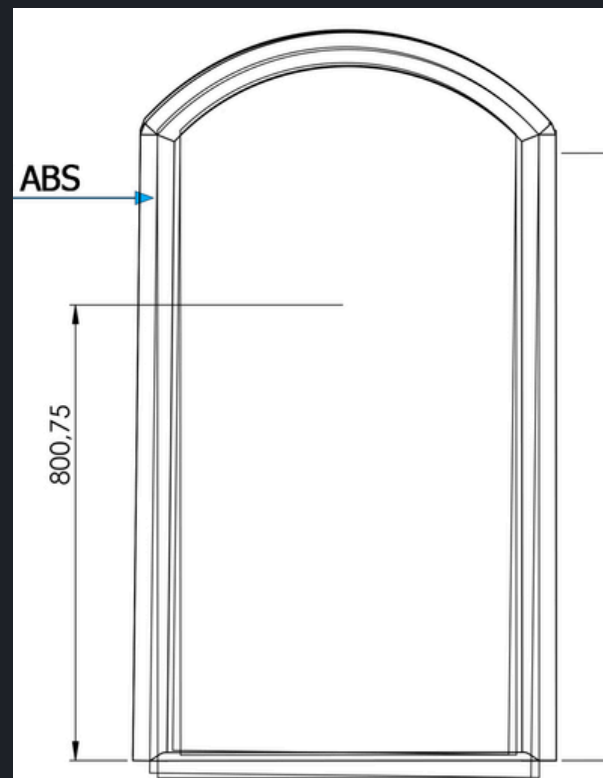
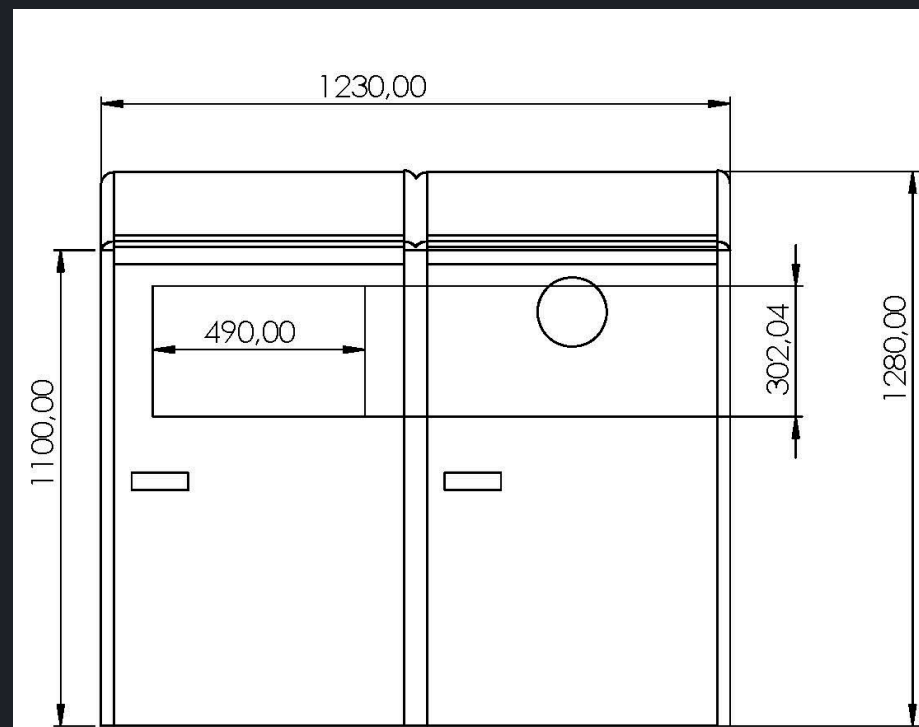
Digital Display/Led Screen for advertising

Hybrid system: solar + electricity

Can be upgraded and customized for specific applications

Custom colors available

Vandal resistant



ADLIS/WEIYIN CORPORATION

Visit our website for product details, color charts, technical data sheet, sales office locations, download images, designs, brochure...

WYB2005A Design: Adlis Smart

WYB2005A is manufactured in Europ and China

Specifications are subject to change without notice.

3D Design / Artwork for the 21st century

2020 Adlis/Weiyin Corporation

www.adlissmart.com

www.solarbenchchina.com

sales@solarbenchchina.com

info@solarbenchchina.com



ADLIS SMART

TO REINVENT THE FUTURE,
WE MUST ALL WORK TOGETHER.

www.adlissmart.com

