


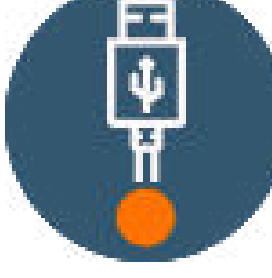


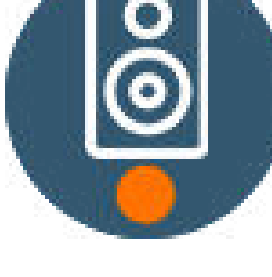



SOLAR SMART BENCH



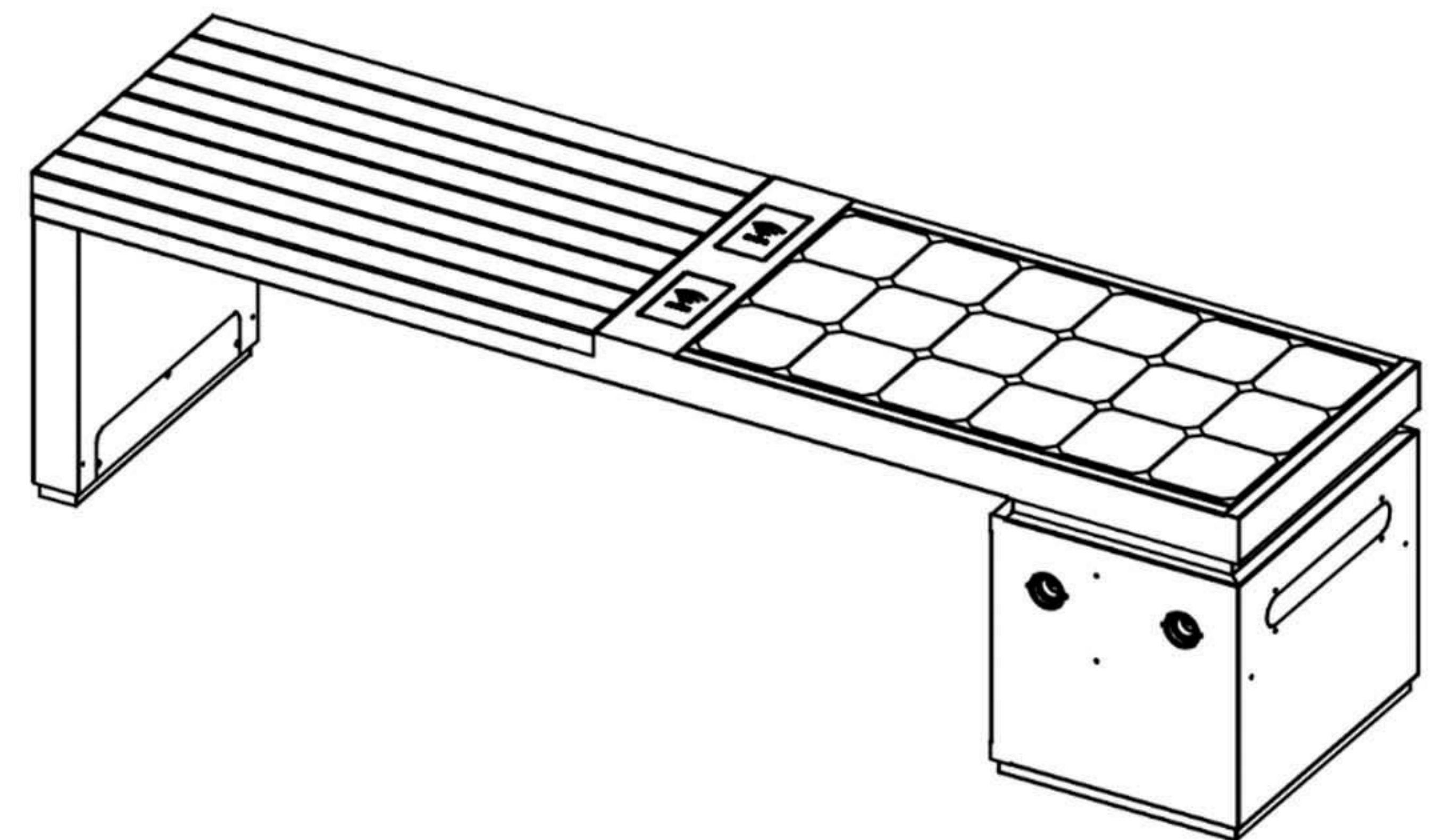
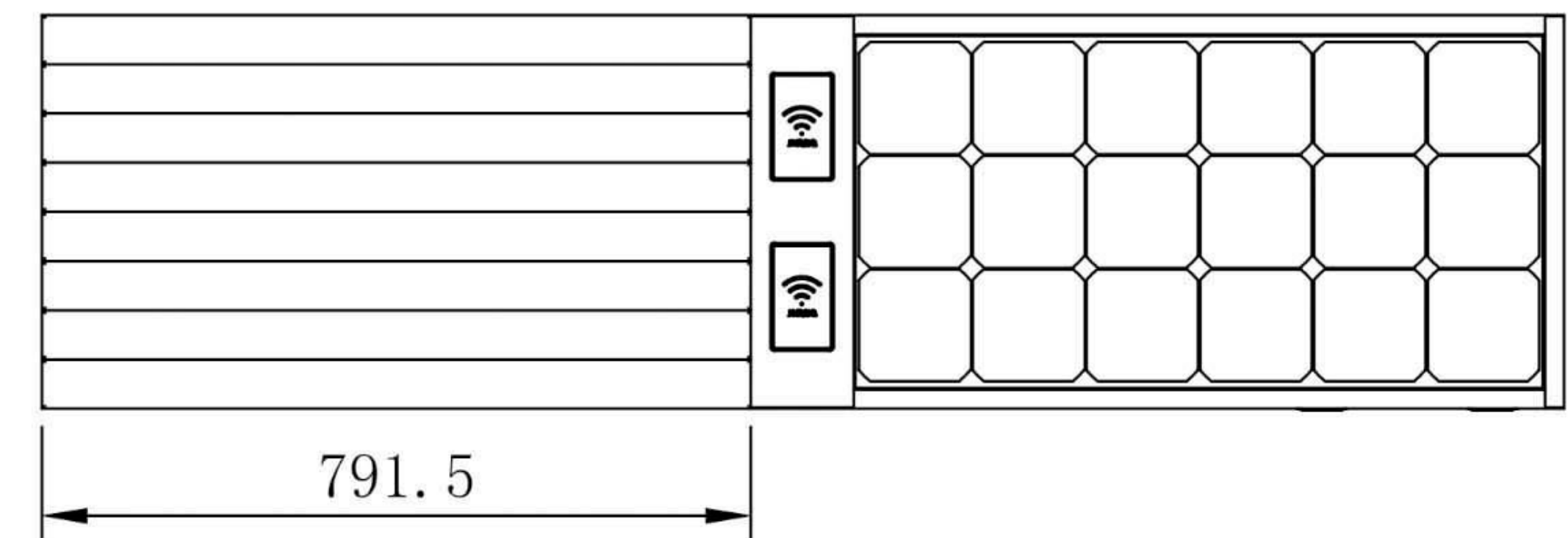
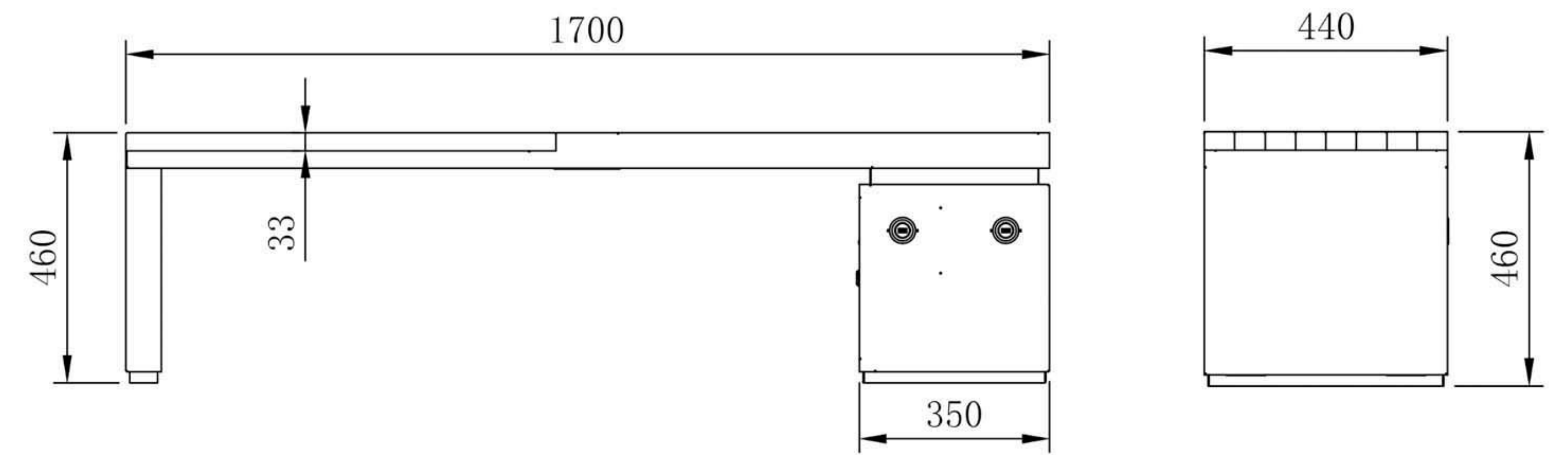
WYC1808A

DATA SHEET

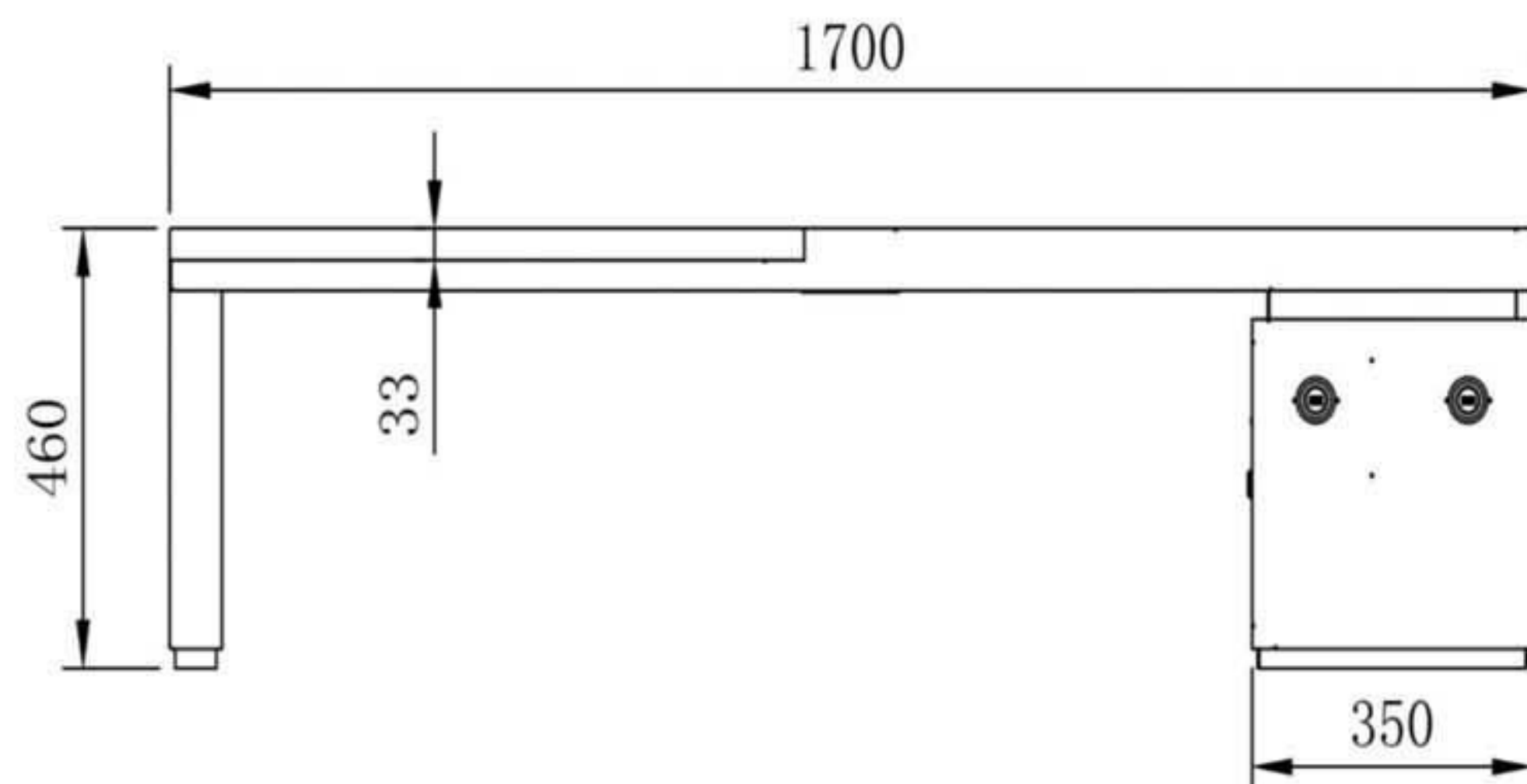
-  Solar panel
-  Gel battery/LifePO4/Lithium
-  Controller MPPT
-  USB charging ports
-  Wireless charging
-  LED Strip/Spot Light
-  Bluetooth speaker
-  4G International router

Characteristics

Model	WYC1808A	Appearance
Size	170 / 45 / 45CM	
N.W.	60KG	
G.W.	80KG	
Certificate	CE / ISO	
Function	In sunlight condition, product will charge build-in battery by solar panel, and then provide energy for phone chargers, lights and advertising display. Optional total smart city with our platform.	
Material	201 Stainless steel + WPC WOOD	
Solar Panel	Monocrystalline Silicon	
Solar Power	40W	
AC Power	AC POWER INVERTER: OPTIONAL	
Controller	MPPT CONTROLLER	
Battery Type	GEL BATTERY/LIFEPO4/LITHIUM	
Working Temp.	-20C-40C/-20C-65C	
Battery Capacity	12V / 55AH	
USB Charger	2	
Wireless Charger	2 QI STANDARD	
LED Light	STRIP LIGHT: WARM WHITE/WHITE/RGBW	
Advertising Display	NO	
Wifi Router	4G LTE/SPEED: UP TO 150MPS	
Bluetooth/Speaker	5/12V	
Led Screen	NO	
BATTERY NOTICE	The controller works well above-40C. while the working efficiency of battery is getting less and less under 0C, when -10C it already doesn't work. Yet after the temperate rises back to over 0C, it will work again. Therefore, in very cold winter the chargers on bench don't work. In good sunshine, the battery is fully charged in about 7-8 hours.	




ADLIS WEIYIN
Official Manufacturer
www.adlissmart.com



A. Description and Function:

The Adlis Solar Mobile Charging Bus Shelter is perfect for short term mobile multi-taskers or a connection space for focused tasks. It charges 2 devices simultaneously and it works with all Apple, Android and other popular devices.

B. Intended Use:

 This product is intended for outdoor use only. Please place it on a flat floor and away from any shade. If in the shade, the solar panel will not function effectively.

C. Package Content:

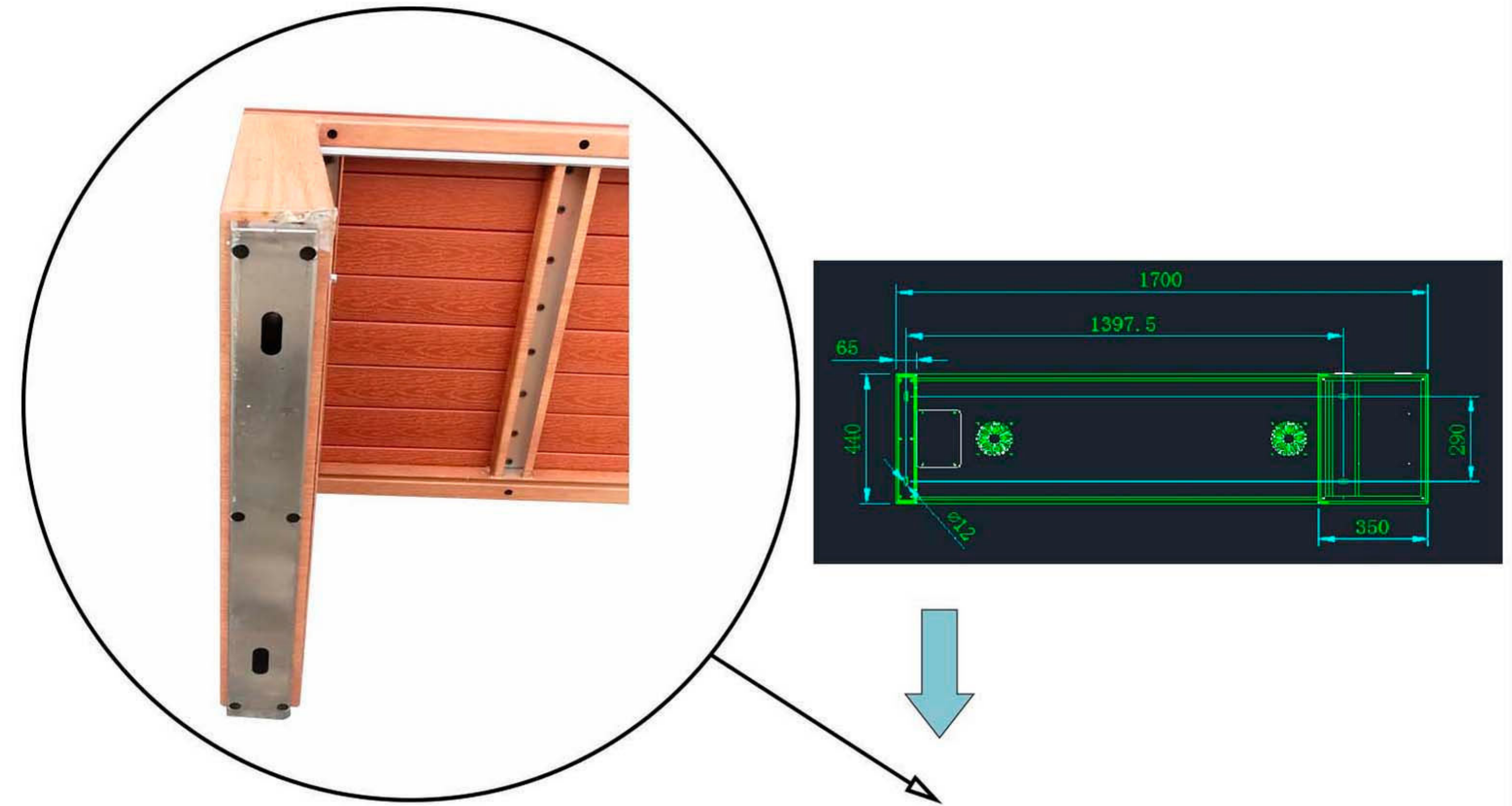
1pc Adlis Solar Bus Shelter

1pc Manual

1set Expansion Bolt

D. Security instructions

E. Connection and operation:



F. Care, Maintenance, Storage and Transport:



ATTENTION!

We recommend that a qualified person use it to assemble and disassemble the product to avoid any risk of product deterioration.

The product is self-service, that is, users do not need help to charge their device.

Read carefully and follow the safety instructions for care, maintenance, storage and transport.

We recommend using the original packaging for transportation to protect the product from dust and moisture.

- We are not responsible for damage to persons or property caused by improper installation or operation not described in this guide. Any alteration and / or modification of the product or its accessories immediately voids the warranty.



WARNING!

We recommend that a qualified person use it to assemble and disassemble the product to avoid any risk of product deterioration.

- We grant a conditional warranty of 2 year for this device from the purchase data.


- The warranty also does not cover accidental damage or vandalism caused to the product.

- The warranty also does not cover the charging cables. We have no control over how users treat cables once the product is installed on your premises; replacement cables can be purchased at an additional cost.

- We are not responsible for damage to persons or property caused by improper installation or operation not described in this guide. Any alteration and / or modification of the product or its accessories immediately voids the warranty.



INSPIRATION
NEW
CONCEPT
NEW



ADLIS
SMART

WE DON'T MAKE THE FUTURE, WE MAKE THE FUTURE BETTER.



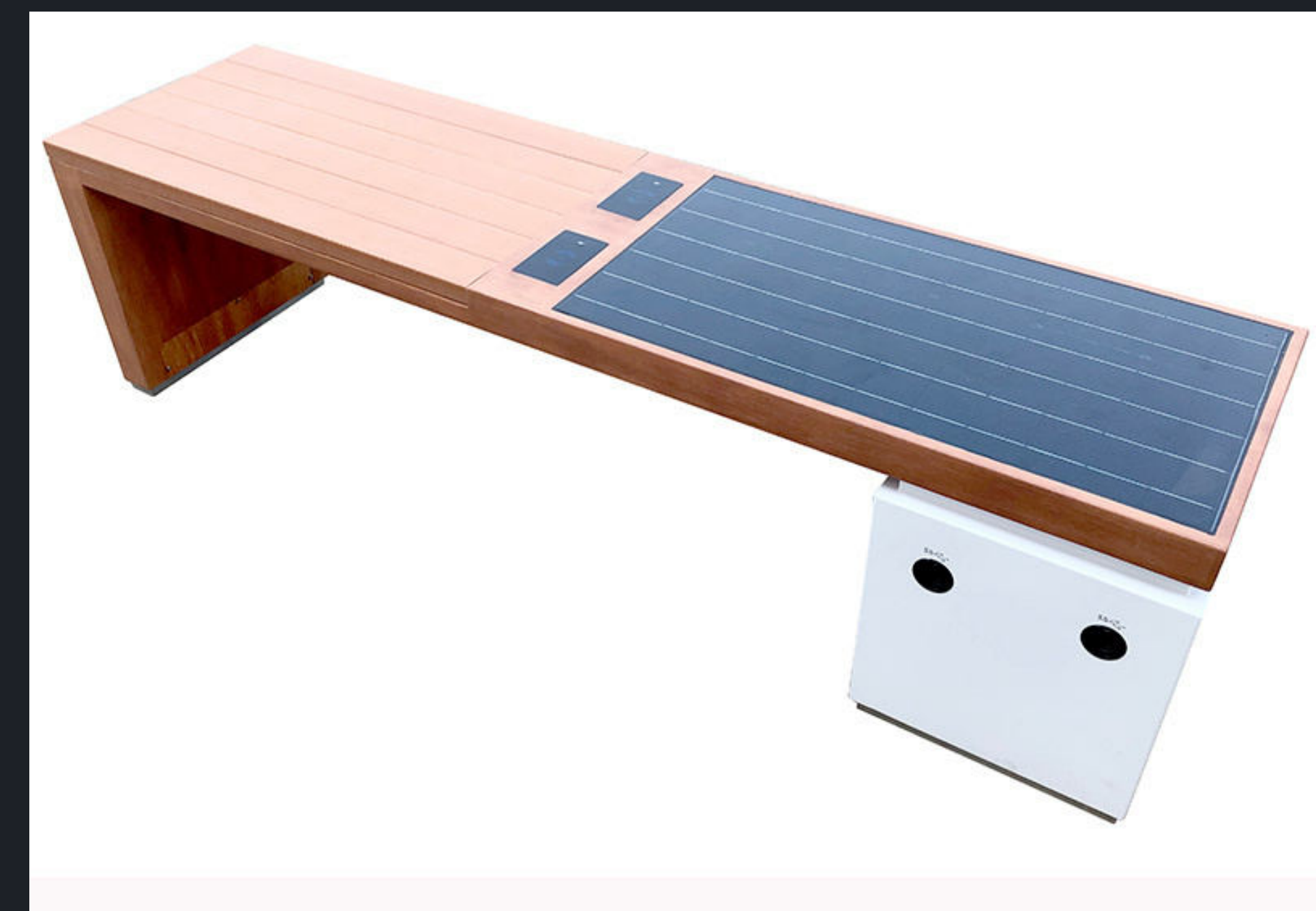
www.adlissmart.com

INSPIRATION
NEW
CONCEPT
NEW




WE DON'T MAKE THE FUTURE, WE MAKE THE FUTURE BETTER.

www.adlissmart.com





REMARKS: ALL PRODUCTS ARE PACKED IN POLYWOOD BOXES.

Brands and Numbers	Property Description	UNITS	UNITS/ CTN	CTNS	G.W.(kgs)	N.W.(kgs)	MEAS (CM)
	WYC1808A	1	1	1	80KG	60KG	176*84*67
Total		1	1	1	80KG	60KG	0.637CBM

This packing detail is for 1 Pc sample, for bulk order the detailed packing details we be provided before shipment.

CONTACT US



E-MAIL:

sales@solarbenchchina.com

E-MAIL:

info@adlissmart.com

PHONE:

008613823601807

WEB:

www.adlissmart.com

www.solarbenchchina.com