


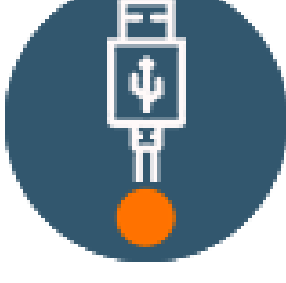


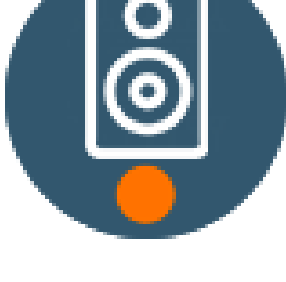



SOLAR SMART TABLE




WYC1812A

DATA SHEET

-  Solar panel
-  Gel battery/LifePO4/Lithium
-  Controller MPPT
-  USB charging ports
-  Wireless charging
-  LED Strip/Spot Light
-  Bluetooth speaker
-  4G International router

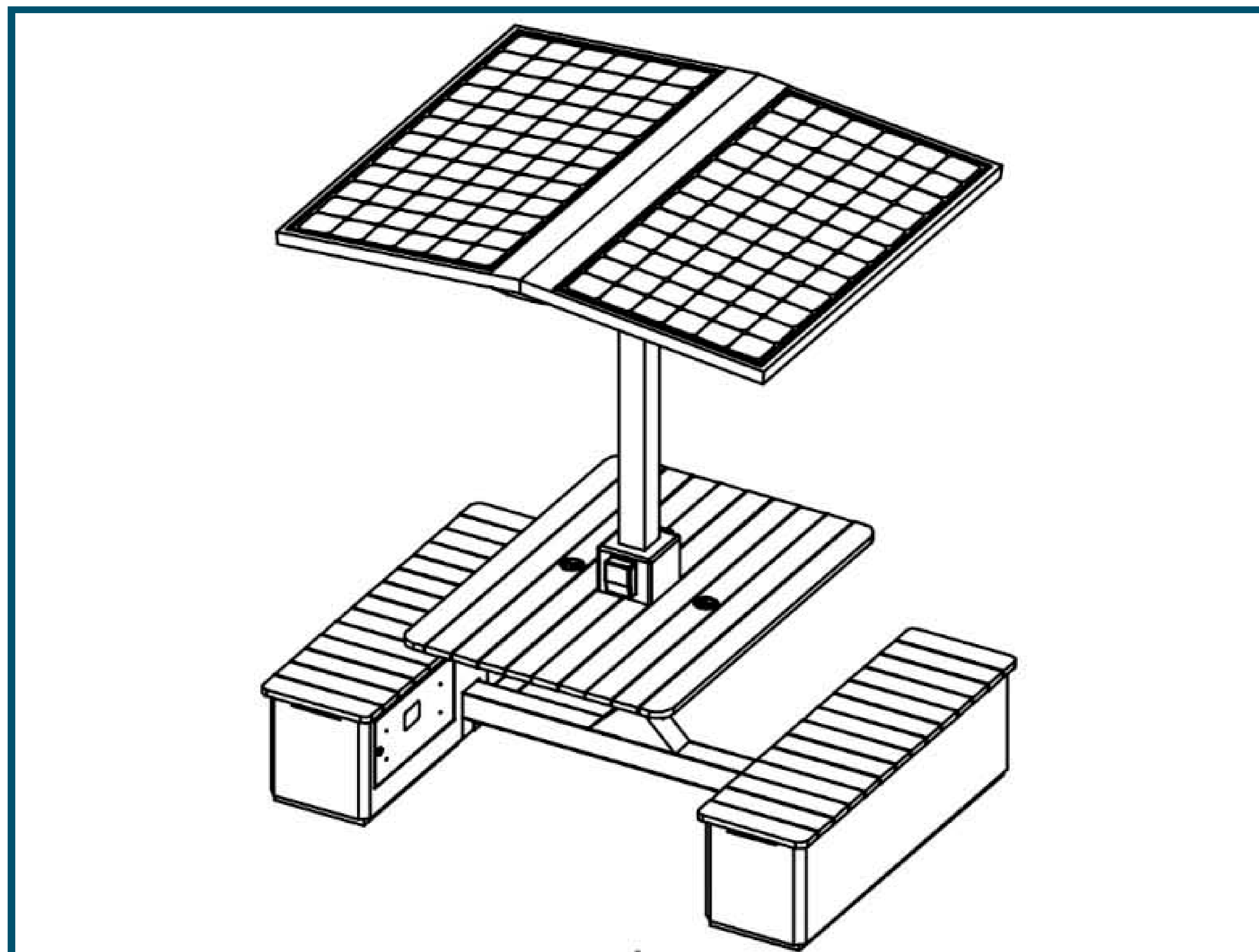
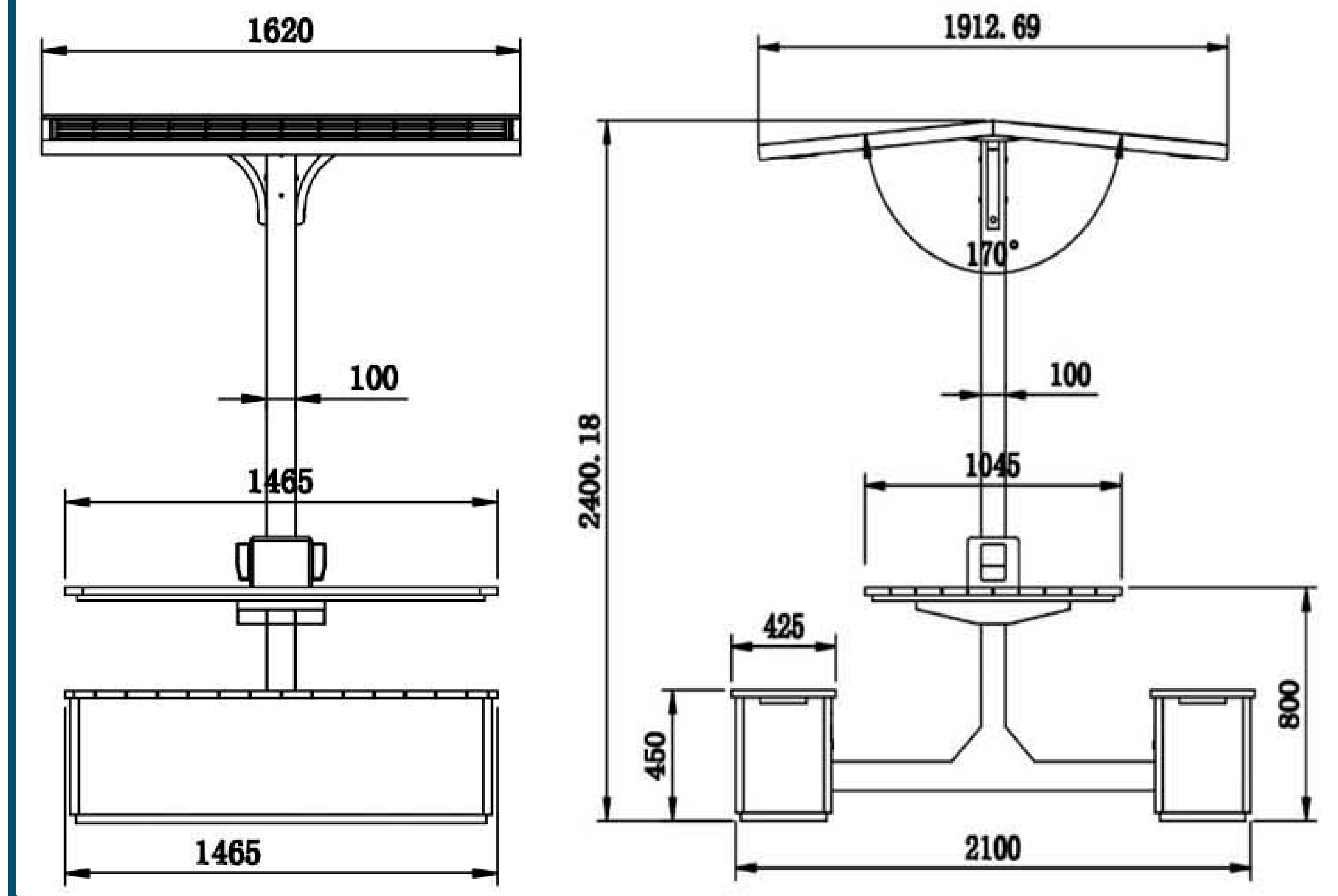
Properties

MODEL NUMBER	WYC1812A	Appearance	
DIMENSIONS	L-230, W-140, H-237		
N.W	200KG		
G.W	220KG		
CERTIFICATE	CE / ISO		

FUNCTION
In sunlight mode, the product will charge a built-in battery by a solar panel, and then provide energy for phone chargers, lights and advertising display. Optional smart city with our platform.

Material	STAINLESS STEEL #201 + WPC WOOD
Solar panel	MONOCRYSTALLINE SILICON
Solar Power	400W
AC POWER	YES
CONTROLLER	MPPT CONTROLLER
Battery type	GEL/LIFEPO4/LITHIUM BATTERY
Working temp	-20C-40C/-20C-65C
Battery capacity	12V / 110AH
USB charger	2 PCS USB CHARGING + SOCKETS: 2 PCS
Wireless Charger	2 PCS - QI STANDARD
Sensors	MOTION SENSOR / OTHER SENSORS ARE OPTIONAL
Wifi router	4G/INTERNATIONAL ROUTER/
Bluetooth speaker	BLUETOOTH SPEAKER 5/12V
LED lighting	SPOT LIGHT: WARM WHITE/WHITE/RGBW
Smart camera	OPTIONAL
NVIDIA Jetson Box	OPTIONAL
Adlis smart platform	OPTIONAL - contact: mori@adlissmart.com for more information
Digital display/LED screen	OPTIONAL
10 mm tempered glass	NO
Large LED light box	NO
Small LED light box	NO
SOS security	SOS BUTTON: OPTIONAL
Network broadcast	OPTIONAL
Smart voice	OPTIONAL
Bin compressor	NO
Disinfection	NO

Battery message
The controller works well above-40C. while the working efficiency of battery is getting less and less under 0C, when -10C it already doesn't work. Yet after the temperate rises back to over 0C, it will work again. Therefore, in very cold winter the chargers on bench don't work.
In good sunshine, the battery is fully charged in about 7-8 hours.



A. Description and function:

The Adlis Solar Mobile Charging Bus shelter is perfect for short term mobile multi-taskers or a connection space for focused tasks. its charges 2 devices simultaneously.
Works with all Apple, Android and other popular devices.

B. Intended use:



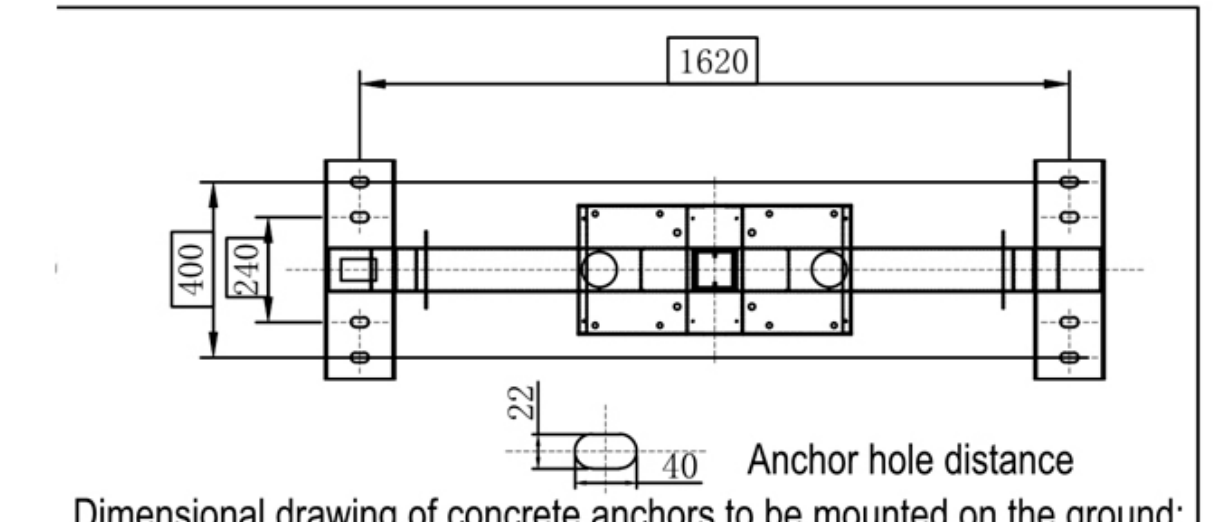
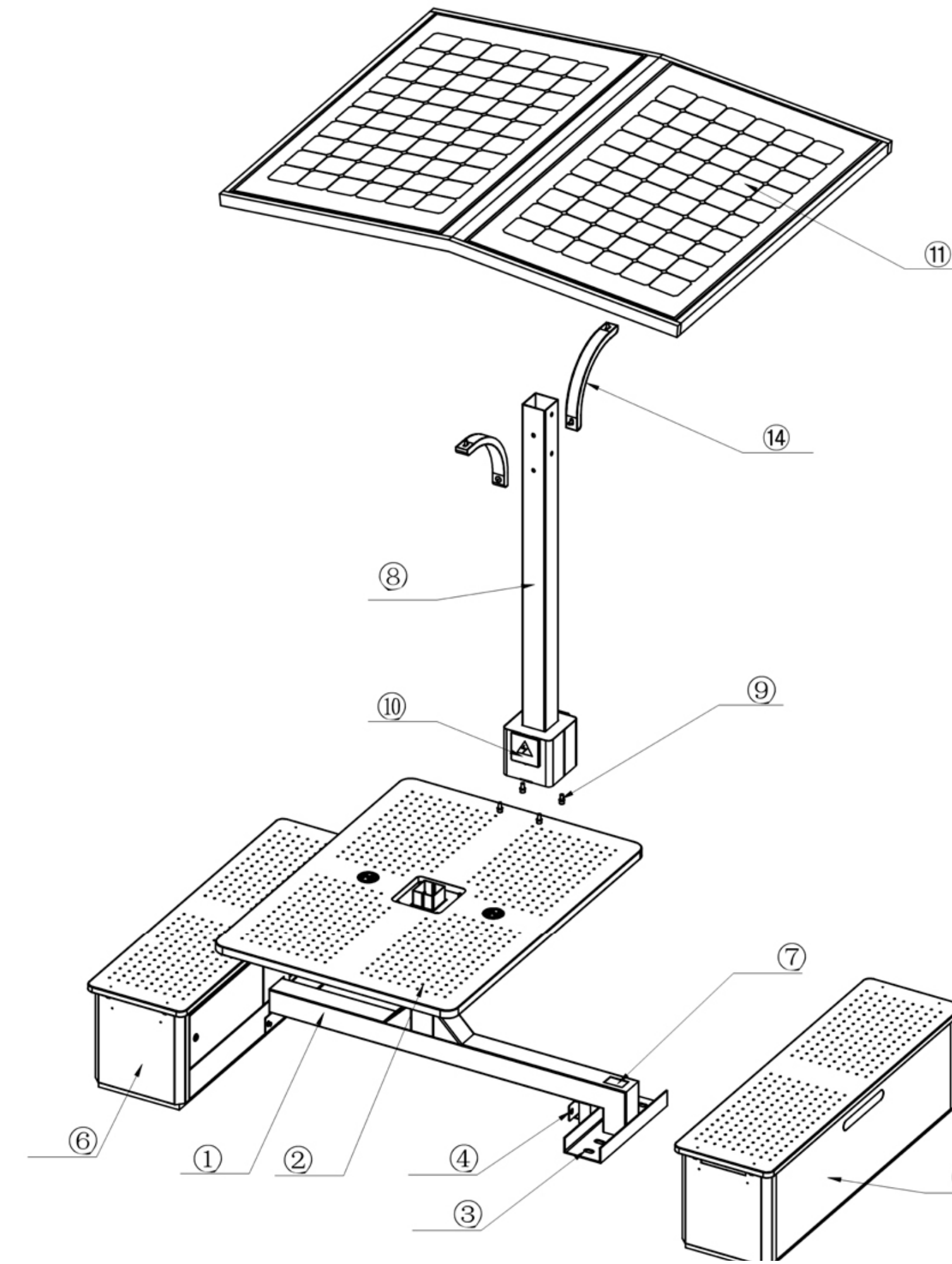
This product is for external use only. Please place it on a flat floor and away from any shade. If in the shade, the solar panel will not function effectively.

C. Package Content:

- 1 unit Adlis Solar Bench Smart
- 1 pc manual
- 1 set of expansion screw

D. Security instructions

E. Connection and operation:



ASSEMBLY LIST			
PART	NAME	DIMENSION	QUANTITY
1	Bench frame		1PC
2	Table plate		1PC
3	Concrete anchor	M16*150MM	8PCS
4	SS socket head cap screw	M8*20MM	12PCS
5	Seat box		1PC
6	Seat box with electronic components		1PC
7	Cable hole		1PC
8	Column		1PC
9	SS socket head cap screw	M10*30MM	8PCS
10	Waterproof outlet box		1PC
11	Roof plate		1PC
12	SS round head cap screw	M10*30MM	6PCS
13	Metal cover		2PCS
14	SS half round head cap screw	M4*12MM	8PCS
15	Supporting		2PCS
16	Electronic component enclosure		1PC

F. Care, Maintenance, Storage and Transport:



ATTENTION

We recommended that a qualified person use it to assemble and disassemble the product to avoid any risk of product deterioration.

The product is self-service, meaning users do not need help charging their device

Read carefully and follow the safety instructions for handling, maintenance, storage and transport.

We recommended using the original packaging for transportation to protect the product from dust and moisture.

WE ARE NOT RESPONSIBLE FOR DAMAGE TO PEOPLE OR PROPERTY CAUSED BY IMPROPER INSTALLATION OR OPERATION THAT IS NOT DESCRIBED IN THIS MANUAL. ANY CHANGE AND/OR MODIFICATION TO THE PRODUCT OR ITS ACCESSORIES IMMEDIATELY CANCELS THE WARRANTY.



WARNING!

We recommended that a qualified person use it to assemble and disassemble the product to avoid any risk of product deterioration.

We provide a two-year conditional warranty for this device from the date of purchase


The warranty also does not cover accidental damage or vandalism caused to the products

The warranty also does not cover the charging cables. We have no control over how users treat the cables. Once the product is installed on your premises, replacement cables can be purchased at an additional cost.

WE ARE NOT RESPONSIBLE FOR DAMAGE TO PEOPLE OR PROPERTY CAUSED BY IMPROPER INSTALLATION OR OPERATION THAT IS NOT DESCRIBED IN THIS MANUAL. ANY CHANGE AND/OR MODIFICATION TO THE PRODUCT OR ITS ACCESSORIES IMMEDIATELY CANCELS THE WARRANTY.



INSPIRATION
NEW
CONCEPT
NEW



ADLIS
SMART

We don't make the future, we make the future better.



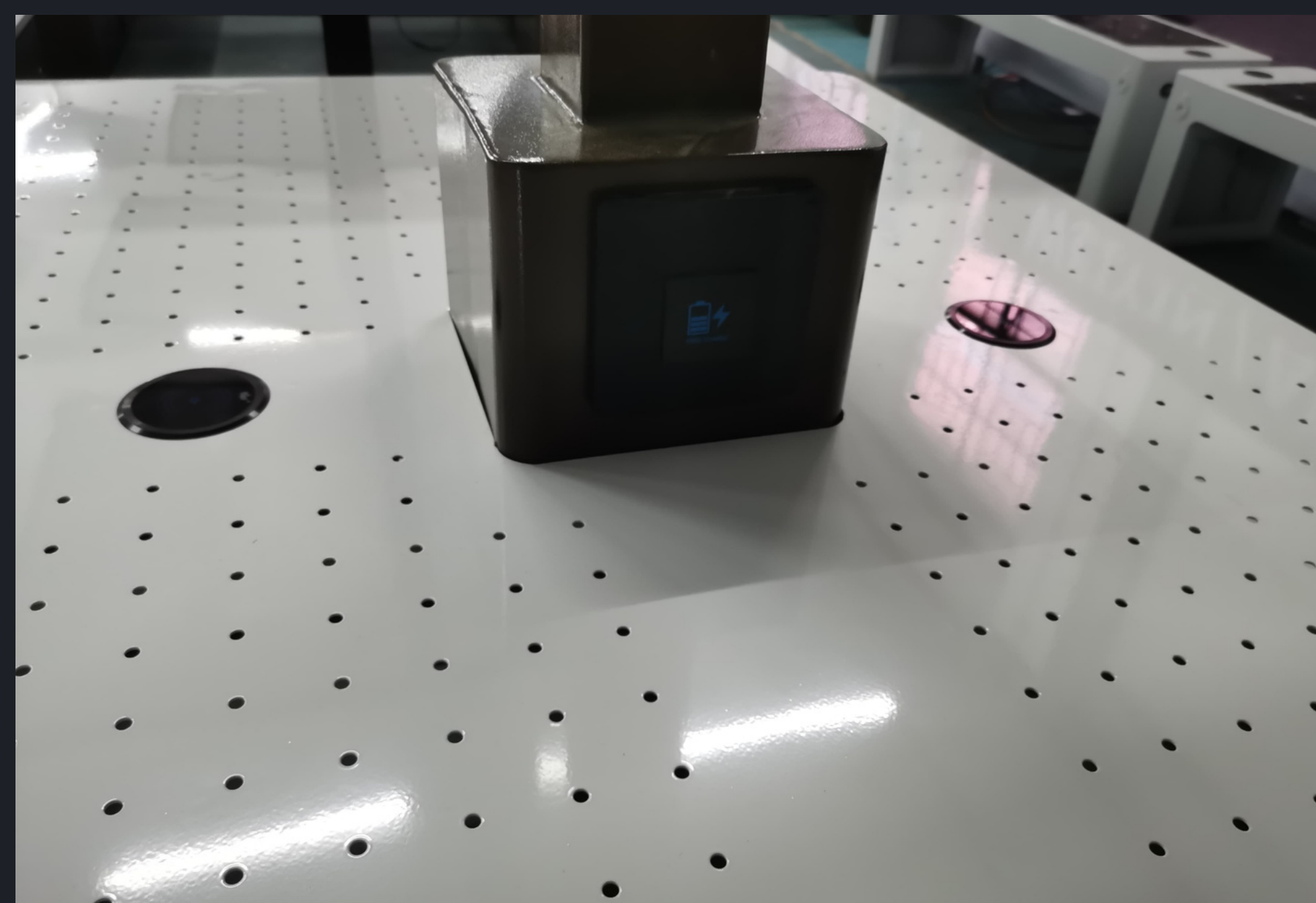
www.adlissmart.com

INSPIRATION
NEW
CONCEPT




We don't make the future, we make the future better.

www.adlissmart.com





REMARKS: ALL PRODUCTS ARE PACKED IN POLYWOOD BOXES.

BRANDS AND NUMBERS	PROPERTY DESCRIPTION	UNITS	UNITS/CTN	CTNS	G.W. KGS	N.W. KGS	MEAS (CM)
	WYC1812A	1	1	1	240 KG	220 KG	230*140*237
Total		1	1	1	240 KG	220 KG	0.596CBM

This packing detail is for 1 Pc sample, for bulk order the detailed packing details we be provided before shipment.

CONTACT US



E-MAIL:

sales@solarbenchchina.com

E-MAIL:

info@adlissmart.com

PHONE:

0086 13823126631

WEB:

www.adlissmart.com

www.solarbenchchina.com