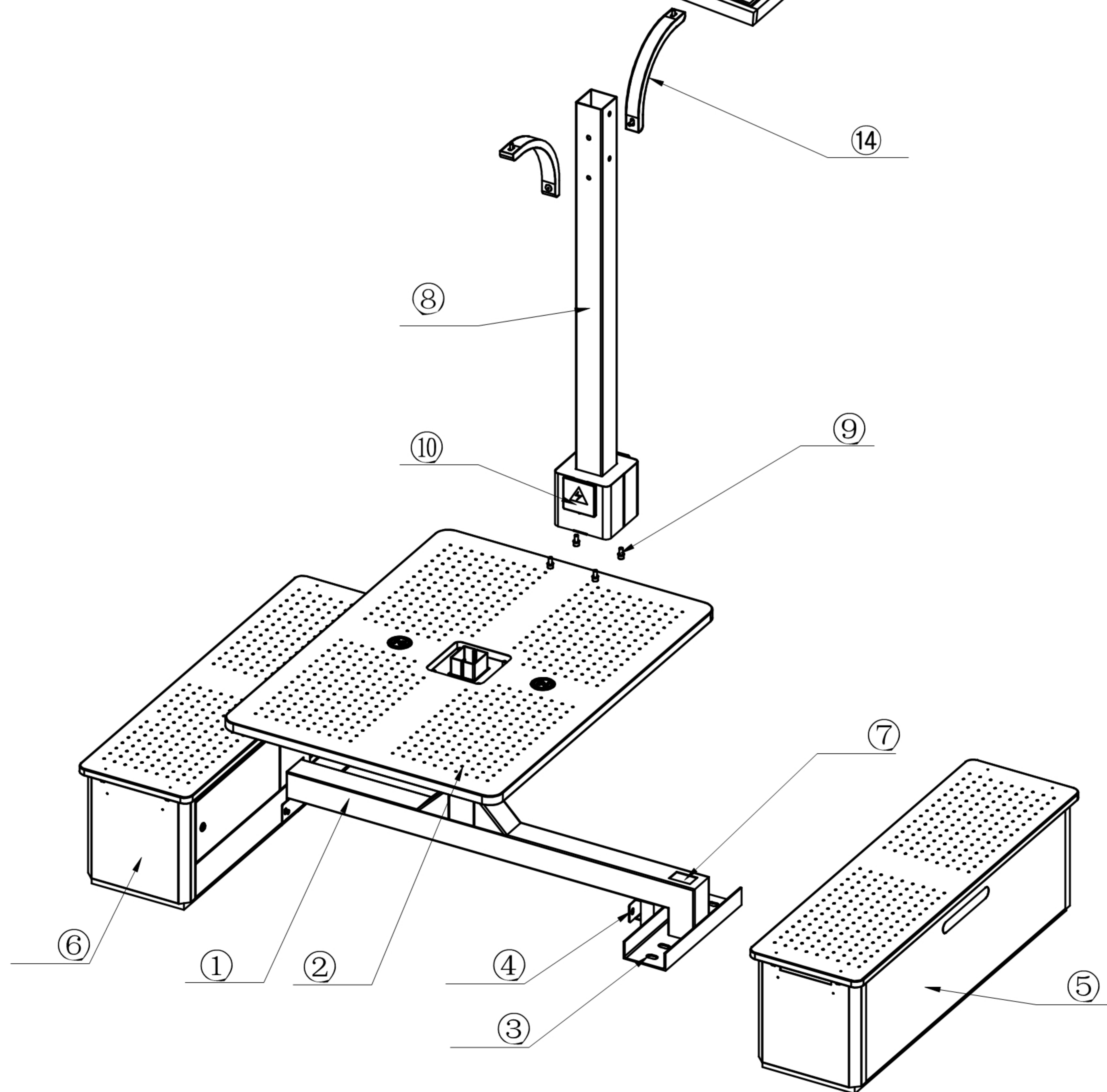


Dimensional drawing of concrete anchors to be mounted on the ground:



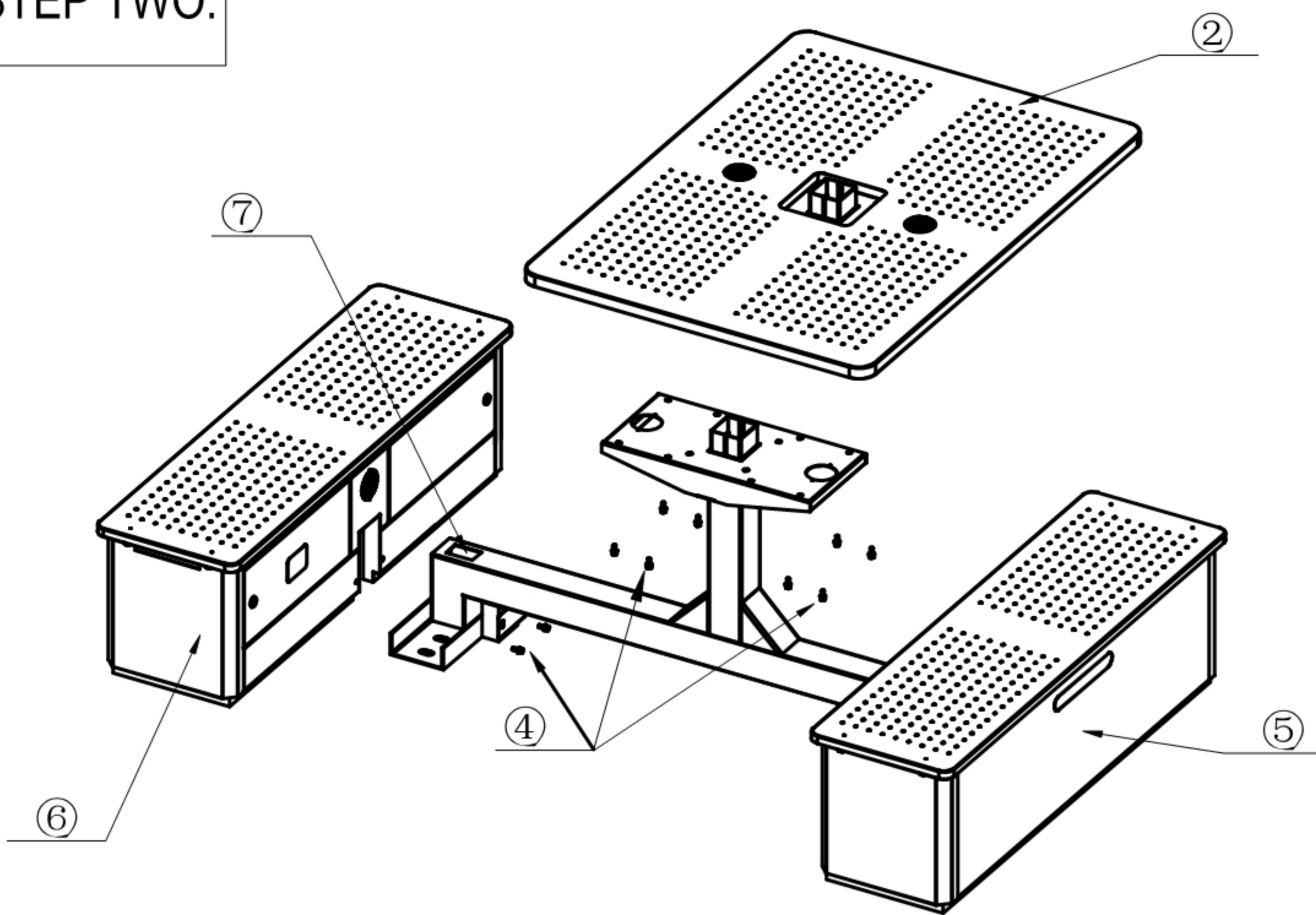
### ASSEMBLY LIST

PART	NAME	DIMENSION	QUANTITY
1	Bench frame		1PC
2	Table plate		1PC
3	Concrete anchor	M16*150MM	8PCS
4	SS socket head cap screw	M8*20MM	12PCS
5	Seat box		1PC
6	Seat box with electronic components		1PC
7	Cable hole		1PC
8	Column		1PC
9	SS socket head cap screw	M10*30MM	8PCS
10	Waterproof outlet box		1PC
11	Roof plate		1PC
12	SS round head cap screw	M10*30MM	6PCS
13	Metal cover		2PCS
14	SS half round head cap screw	M4*12MM	8PCS
15	Supporting		2PCS
16	Electronic component enclosure		1PC

**WEIYIN**  
**ADLIS**

WYC1812 INSTALLATION INSTRUCTION

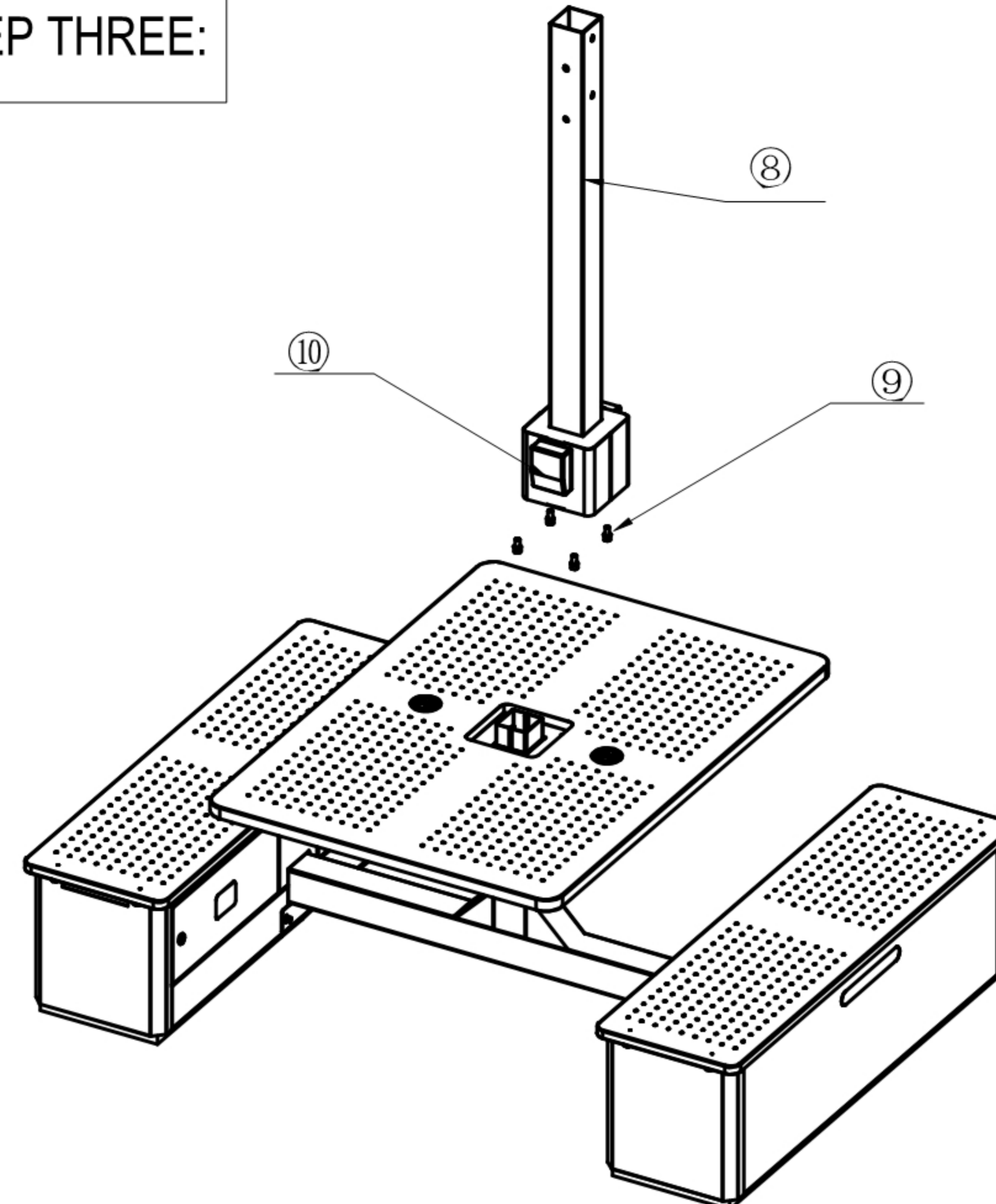
**STEP TWO:**



2. Align the table plate (Item 2) to bolt holes in bench frame (Item 1). Secure the 20 screws (Item 4) using 6mm hex wrench.

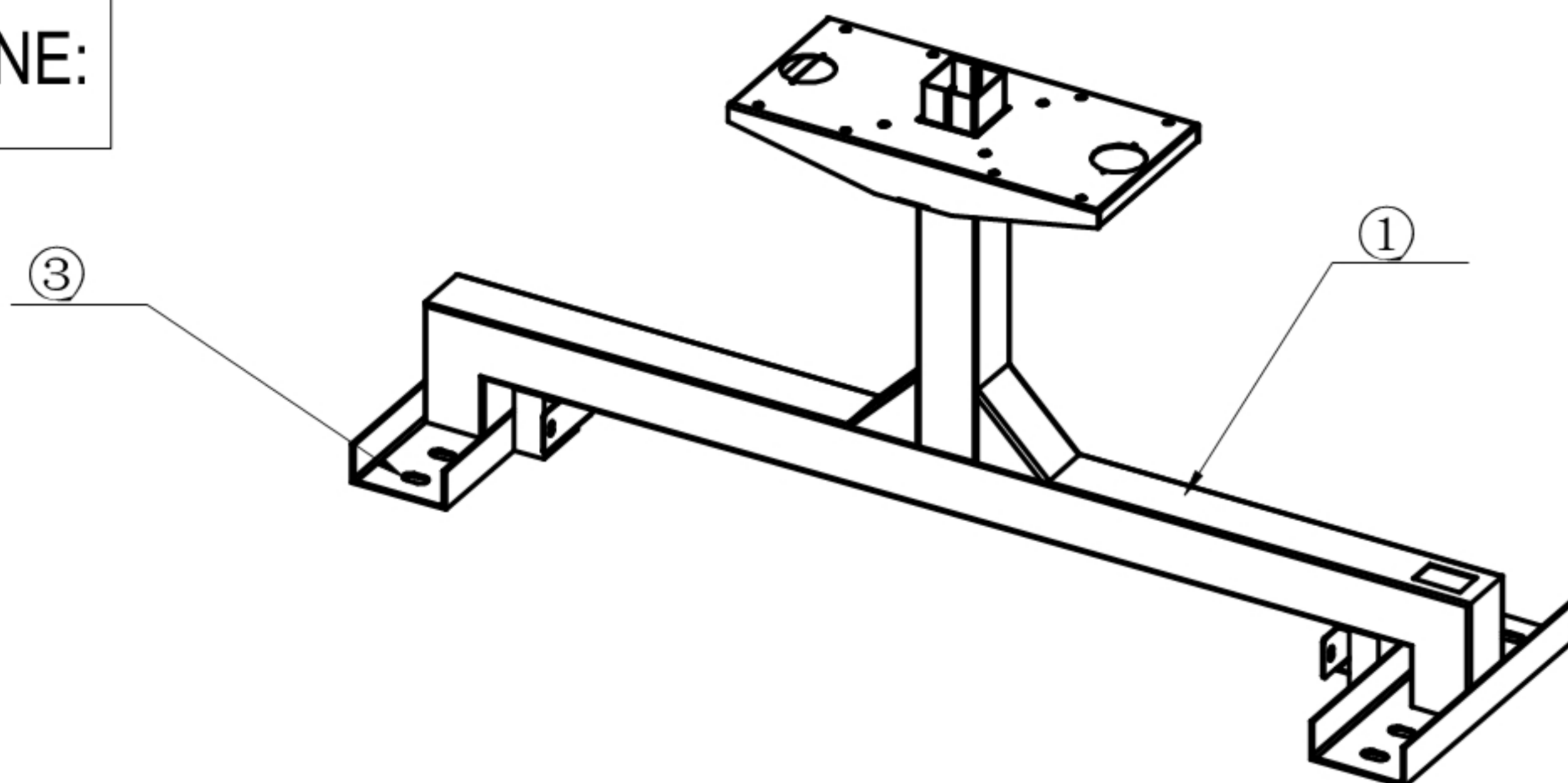
3. Align the two seat boxes (Item 5) to bolt holes on the sides of bench frame (Item 1). Secure the 4 screws (Item 4) using 6mm hex wrench. Note: Seat box with electronic components (Item 6) should match the cable hole (Item 7) on the bench frame (Item 1).

**STEP THREE:**



4. Align the column (Item 8) to table plate (Item 2). Secure the 4 screws (Item 9) from underneath the table, using 8mm hex wrench, direction of waterproof outlet box shown as photo.

**STEP ONE:**



1. Select a flat surface for mounting the bench frame (Item 1). Drill holes in mounting base in configuration shown as step 1 to accept concrete anchors (Item 3). Secure expanding concrete anchors fully to holes and secure bench frame (Item 1) to ground using 24mm box end wrench. (Note: concrete foundation thickness should be no less than 150mm).

5. Align the tube of roof plate (Item 11) into column (Item 8). Secure the 6 screws (Item 12) using phillips screw driver.

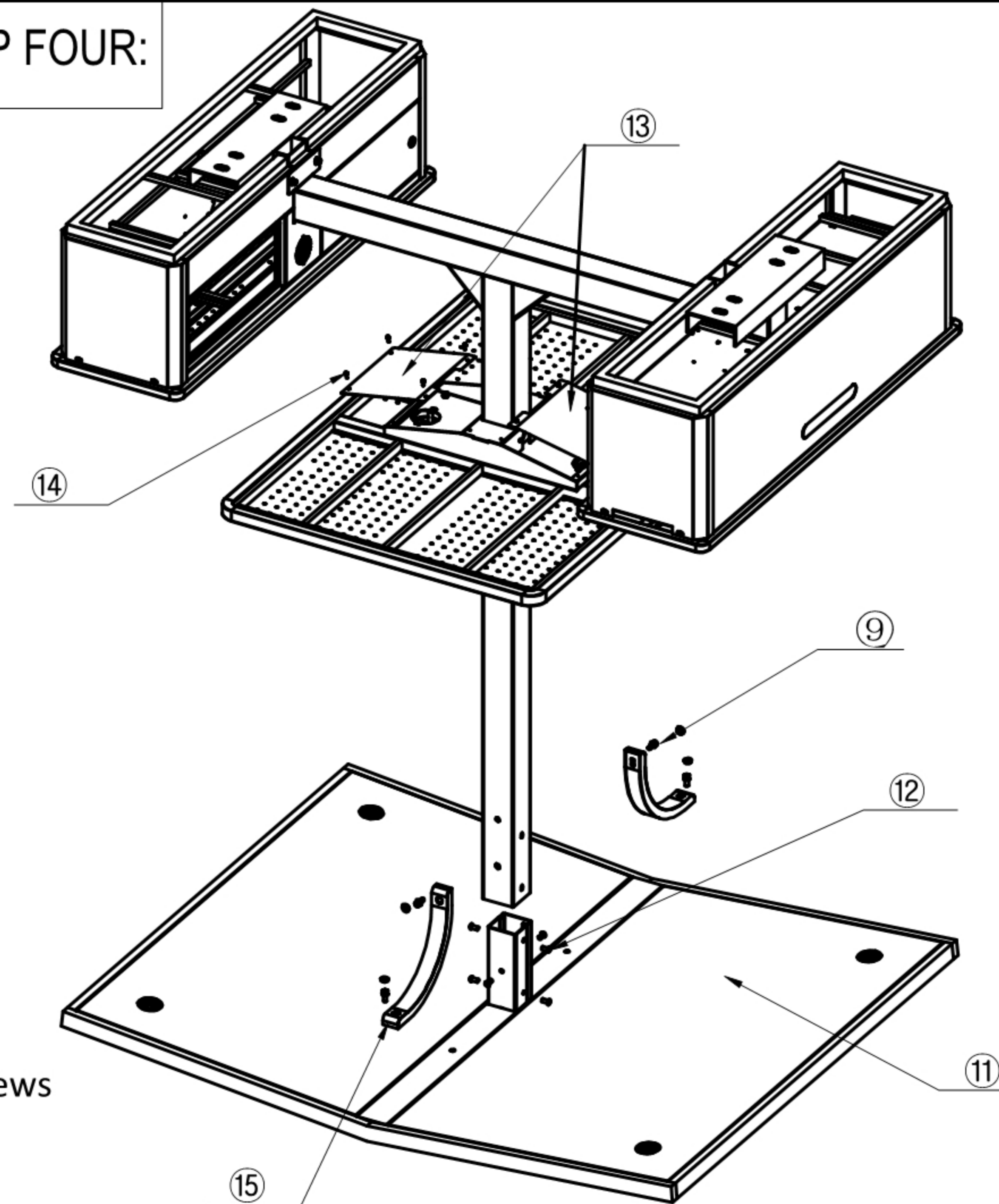
6. Align the two metal covers (Item 13). Secure the 8 screws (Item 12) using phillips screw driver. Note: Cables go through the column (Item 8) and the seat box (Item 6) and connect according to marks on each end.

7. Turn on the power and make sure all electronic components are working properly.

8. Align the two supporting (Item 14) with holes to the column (Item 8) and secure the 4 screws (Item 9) using 8mm hex wrench, and close with 20mm rubber mat.

9. Close the maintenance door on seat box (Item 6). Ensure all screws are fixed tightly and battery is turned on to complete installation.

**STEP FOUR:**



**Included Fasteners:**

- M8\*20 SS socket head cap screws = 12pcs
- M10\*30 SS socket head cap screws = 8pcs
- M10\*30 SS round head cap screws = 6pcs
- M4\*12 SS half round head cap screws = 8pcs
- M16\*150 concrete anchors = 2pcs

**Required Tools:**

- Hex(Allen) wrench: 8mm,6mm
- Box end wrench: 24mm
- Phillips screw driver



**WEIYIN**  
**ADLIS**

**WYC1812 INSTALLATION INSTRUCTION**