



 **ADLIS
WEIYIN**
Official Manufacturer

WYC1821F

CATALOGUE

www.adlissmart.com

DESCRIPTION

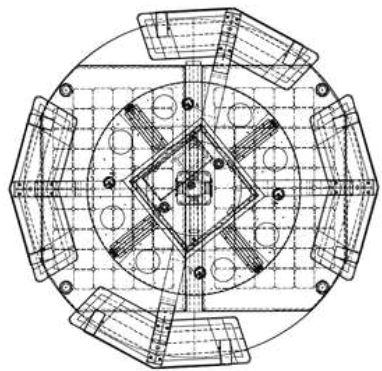
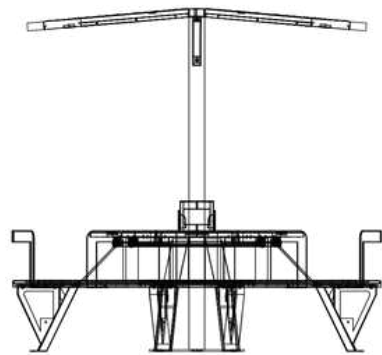
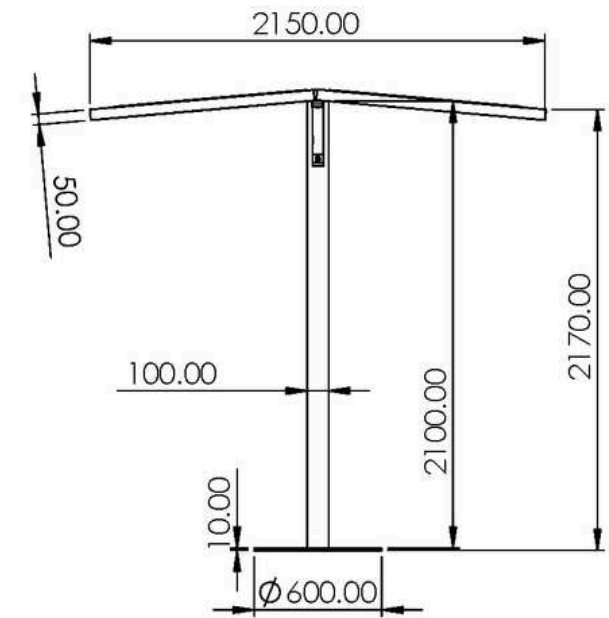
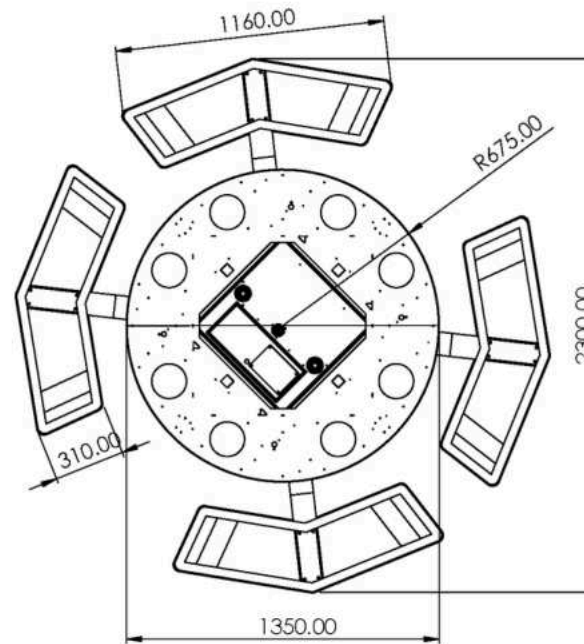
Solar Smart Table is made of corten steel

Stainless Steel #201

Option Stainless Steel #304 / #316

Solar Panel: 200W

WIFI Router 4G



FINISHES

Plexus box - 1055 2P USB 5V 2.1A)

Stainless Steel #201 or #304

Thermo lacquered in choice of RAL

Dimensions: 2300mm x 450/750mm x 2170mm - WEIGHT: 200Kg

WYC1821E

Smart Solar Table

Bench is made of corten steel

Stainless Steel #201

Thickness 2-4 mm

www.adlissmart.com





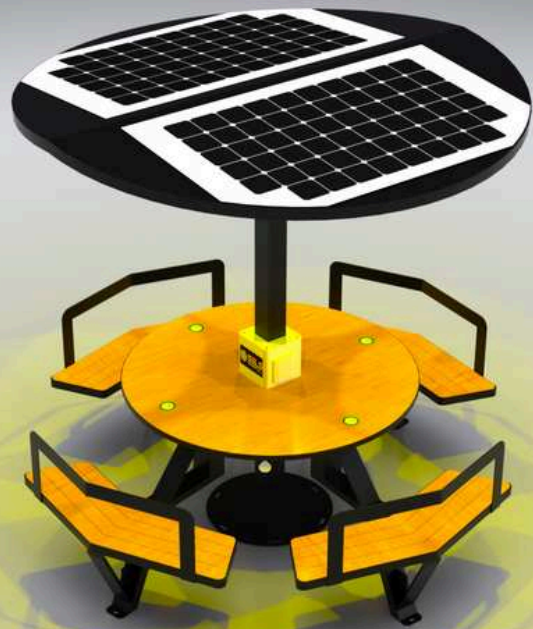
ADLIS SMART

The importance of always creating something new, designing new concepts allows Adlis Smart to remain a leader in the production of Smart Street Furniture.

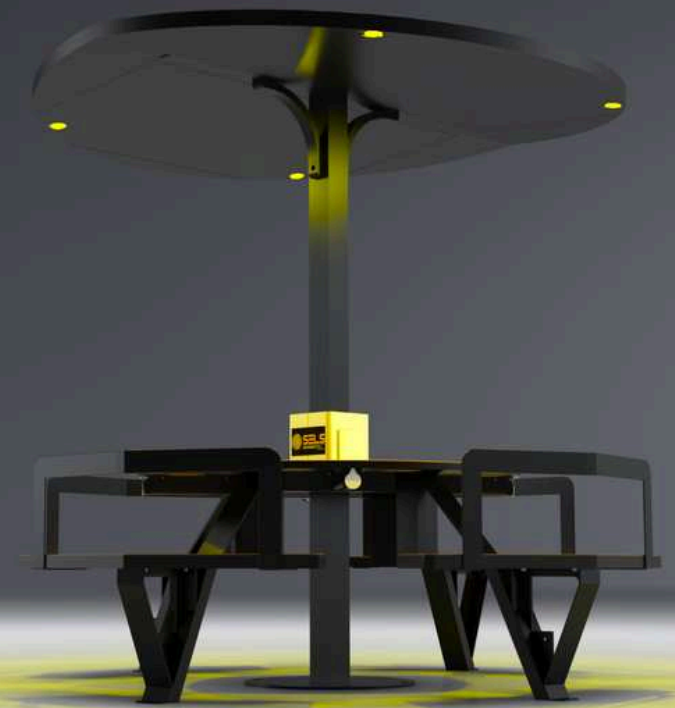


OUR MODEL, OUR IDEA

WYC1821E is part of our Solar Smart Table collection, a simple design that fits anywhere. Comfortable, personalized, it comes with all the necessary components to facilitate any communication and information.



WYC1821E offers several options to choose from. possibility of changing measurements, increasing the power of the solar panel and others.



WYC1821E for assembly offers other options such as smart voice, digital display with hybrid system, SOS system and our Platform Smart City AI management system.

WYC1821E is our collection of Solar Smart Table. Made of #201/#304 stainless steel, we offer standard system and standard system + options (Smart City AI Platform). Includes solar panel, battery, MPPT controller, WIFI, Spot Led Light, charger and others. We offer digital screen options with hybrid system, indoor options without solar panels, Smart Voice and much more. Ground anchoring device and steel casing - resistance to vandalism.



WYC1821E

Material: Stainless steel #201

Dimensions: L-230cm, W-45/75cm, H-217cm

Solar Panel: 200W

Battery capacity: 12V, 110AH

Controller Type: MPPT

Weight: estimated 200kg

USB charging: 4 + Socket: 2

Power (per port): 5V (2.1A)

Wireless charging: 4 Qi Standard

Motion Sensor

Ambient light: LED spot Warm white

Bluetooth speaker: 5/12V

Wi-Fi: 4G international router

Optional

Platform Adlis Smart City AI

Smart Voice

Smart camera

SOS button

Sensors (CO2, Noise, waterproof etc.)

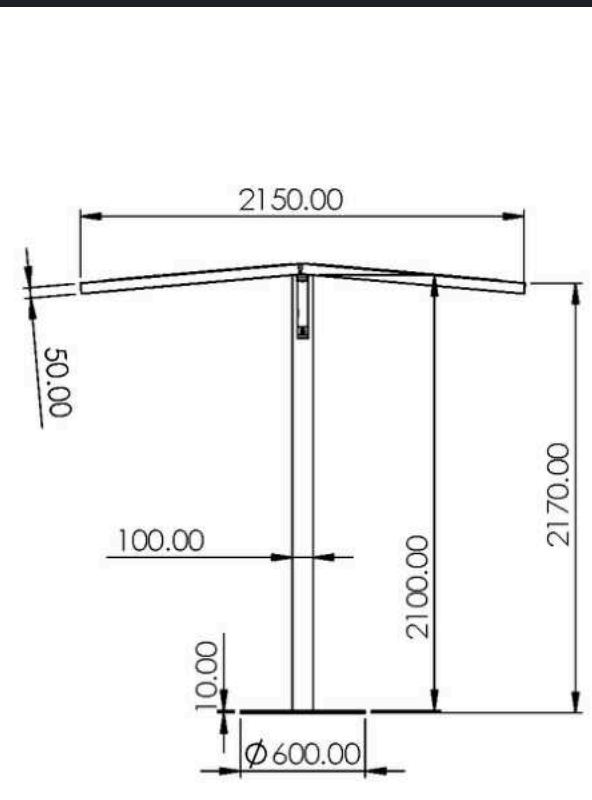
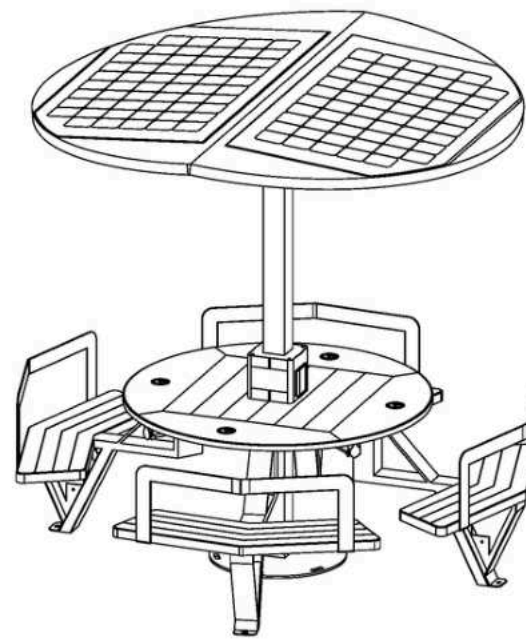
Digital Display/Led Screen for advertising

Hybrid system: solar + electricity

Can be upgraded and customized for specific applications

Custom colors available

Vandal resistant



ADLIS/WEIYIN CORPORATION

Visit our website for product details, color charts, technical data sheet, sales office locations, download images, designs, brochure...

WYC1821E Design: Adlis Smart

WYC1821FE is manufactured in Europe and China
Specifications are subject to change without notice.

3D Design / Artwork for the 21st century

2020 Adlis/Weiyin Corporation

www.adlissmart.com

www.solarbenchchina.com

sales@solarbenchchina.com

info@solarbenchchina.com



ADLIS SMART

TO REINVENT THE FUTURE,
WE MUST ALL WORK TOGETHER.

www.adlissmart.com

