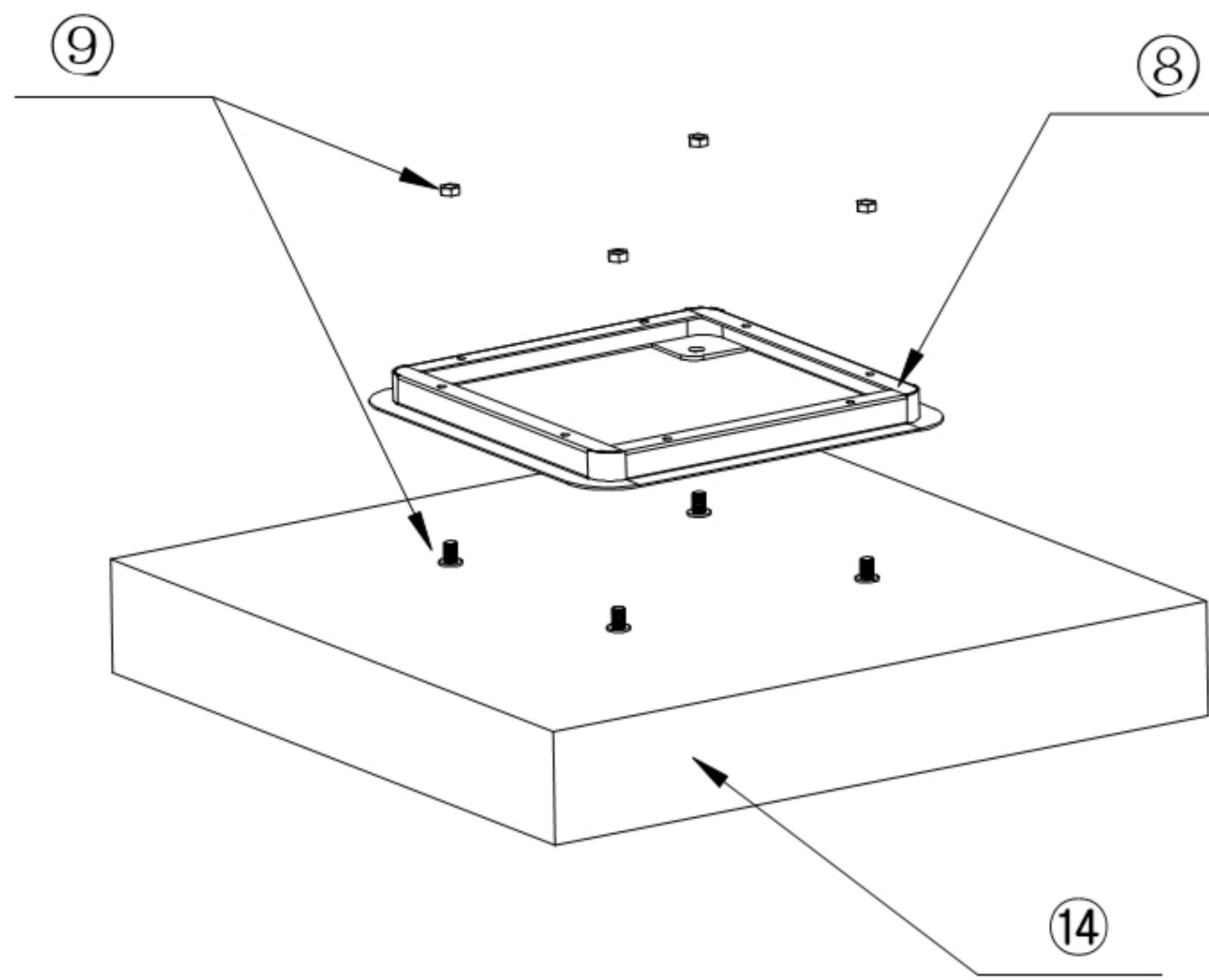
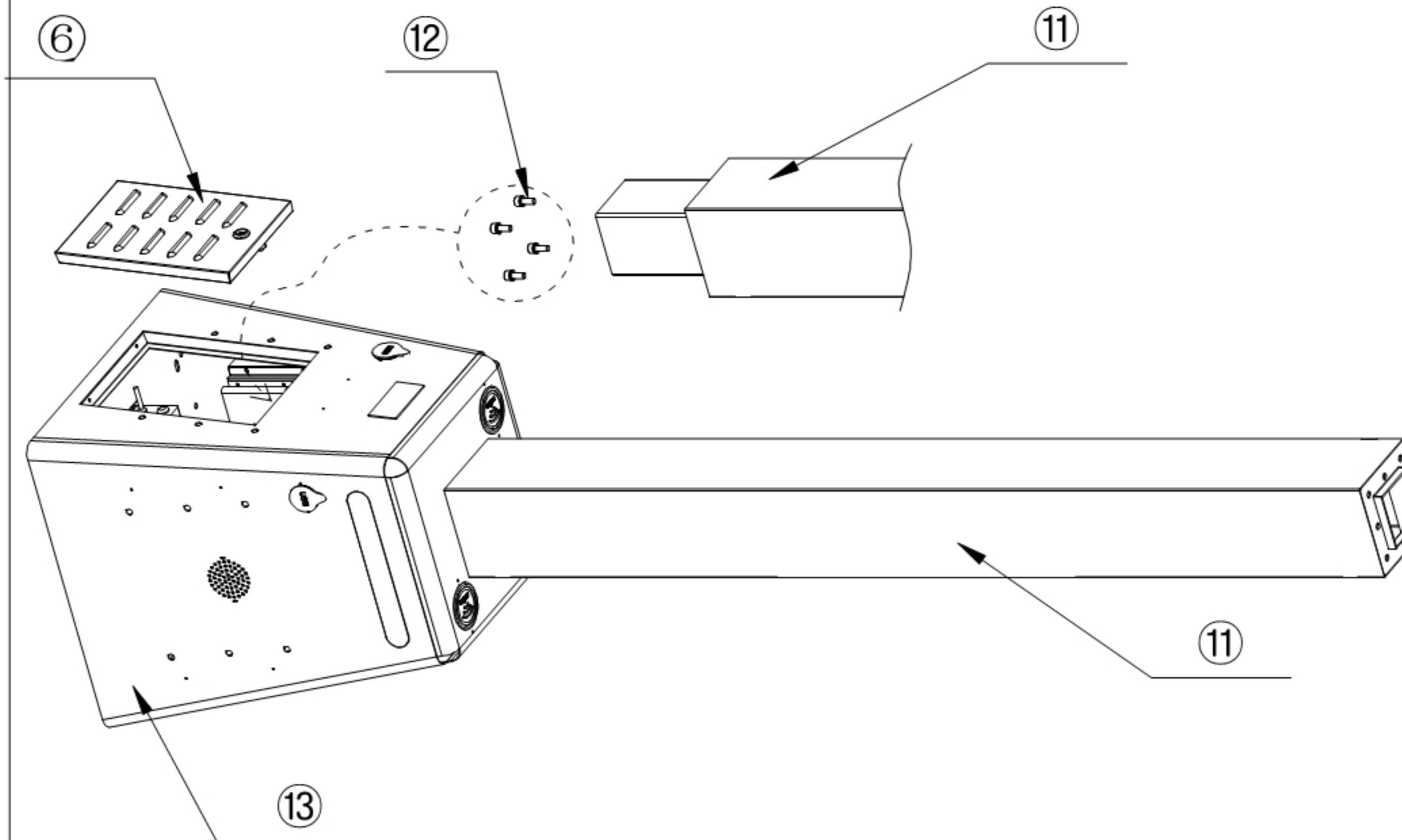


ASSEMBLY LIST			
PART	NAME	DIMENSION	QUANTITY
1	SS pan head screw	M5*12MM	8PCS
2	Top cover		1PC
3	Solar panel metal frame		1PC
4	Bench Seat		4PCS
5	SS socket head cap screw	M8*20MM	24PCS
6	Maintenance door		1PC
7	SS socket head cap screw	M8*20MM	8PCS
8	Mounting base		1PC
9	Concrete anchor	M16*150MM	4PCS
10	SS socket head cap screw	M8*20MM	10PCS
11	Column		1PC
12	SS socket head cap screw	M10*30MM	4PCS
13	Bench frame		
14	Mounting base		
15	Electronic component enclosure		

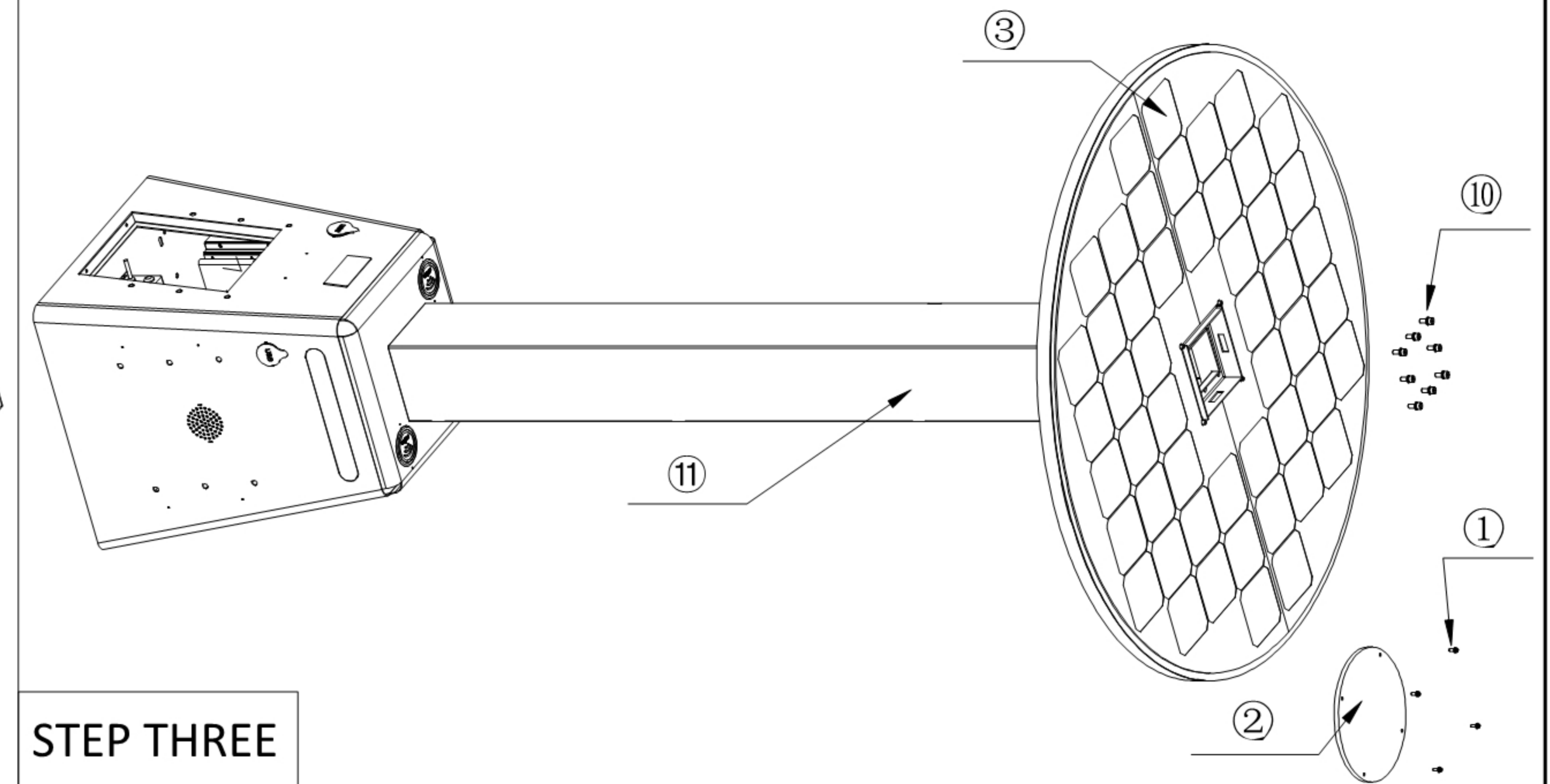




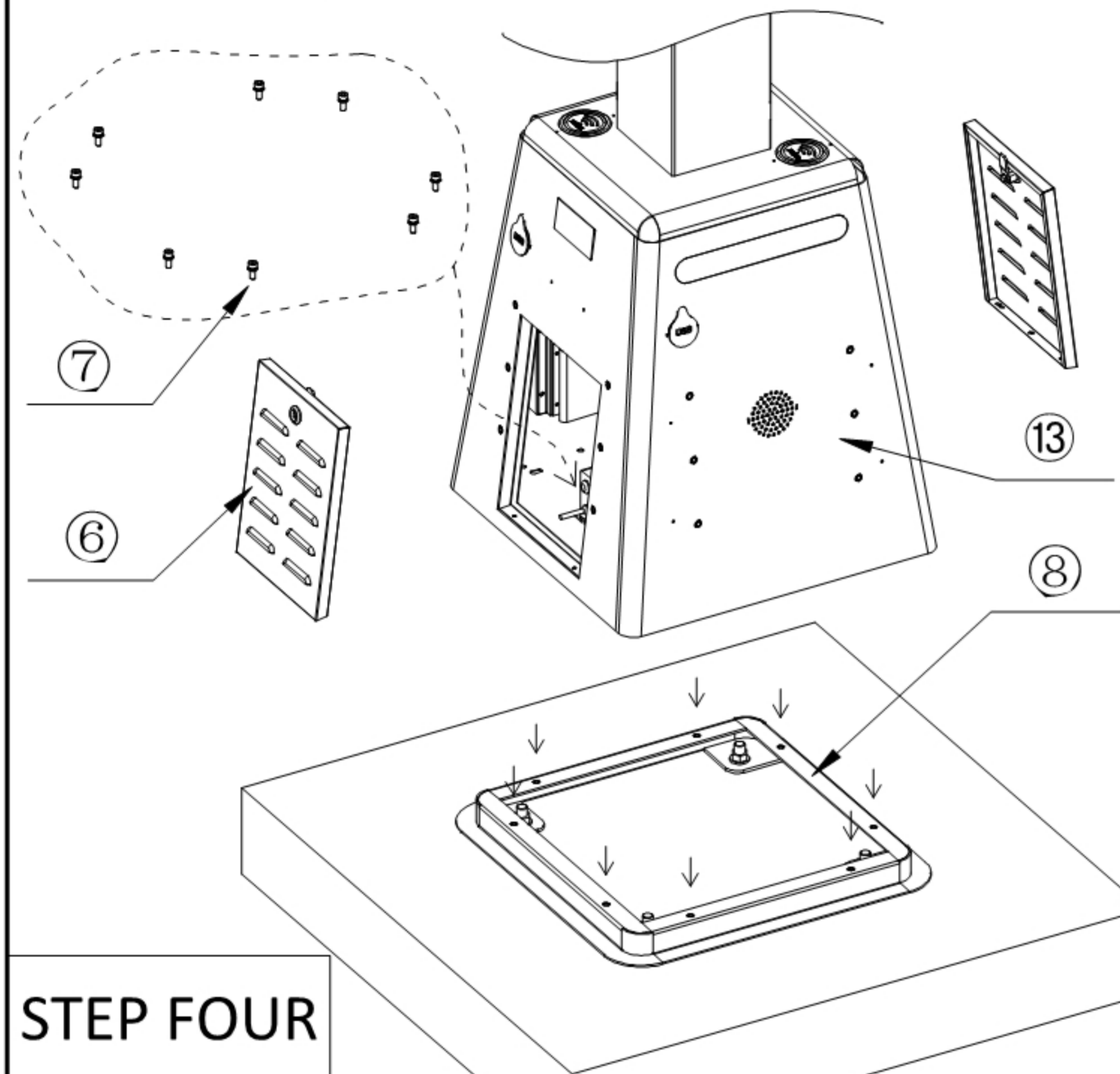
STEP ONE



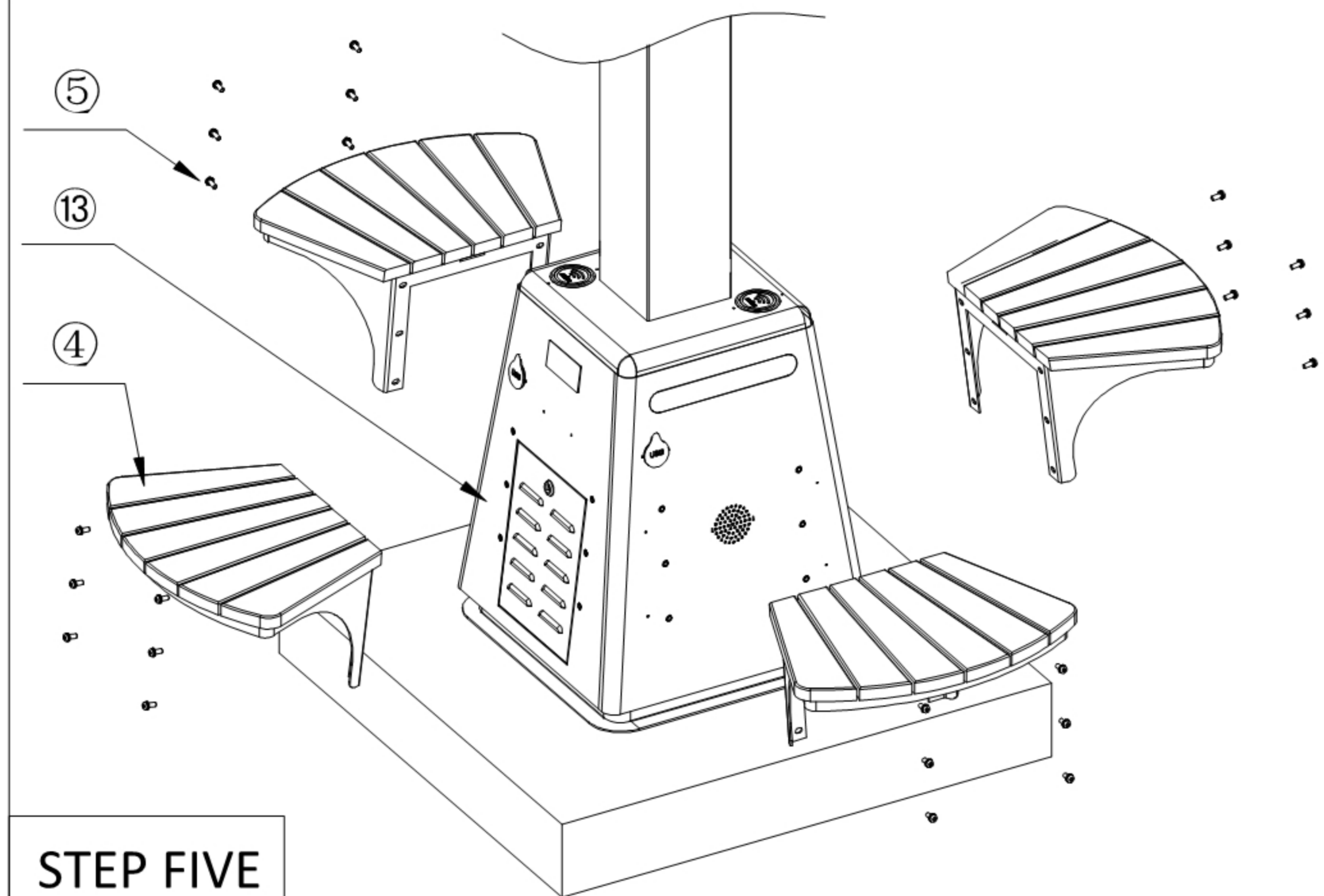
STEP TWO



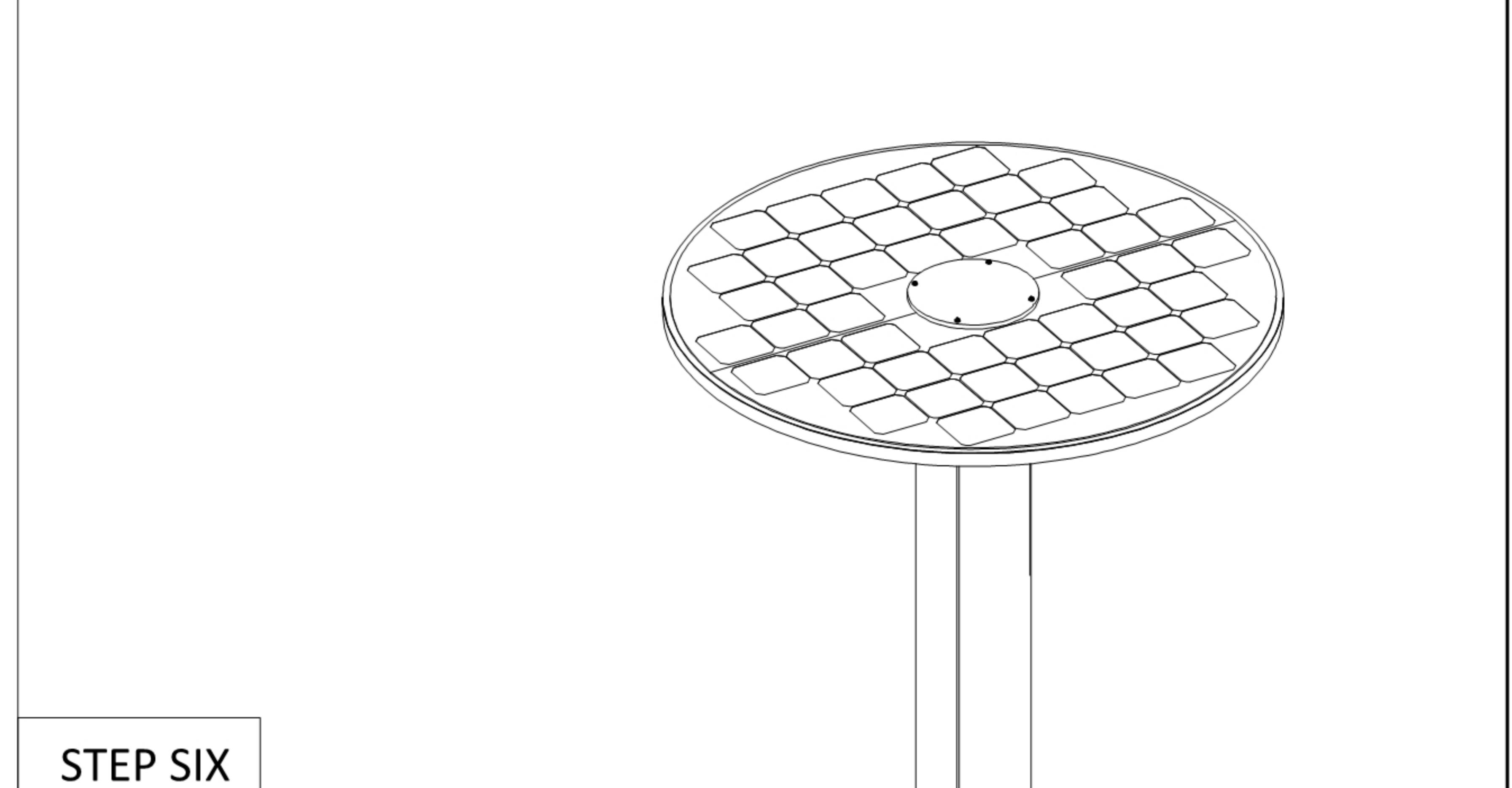
STEP THREE



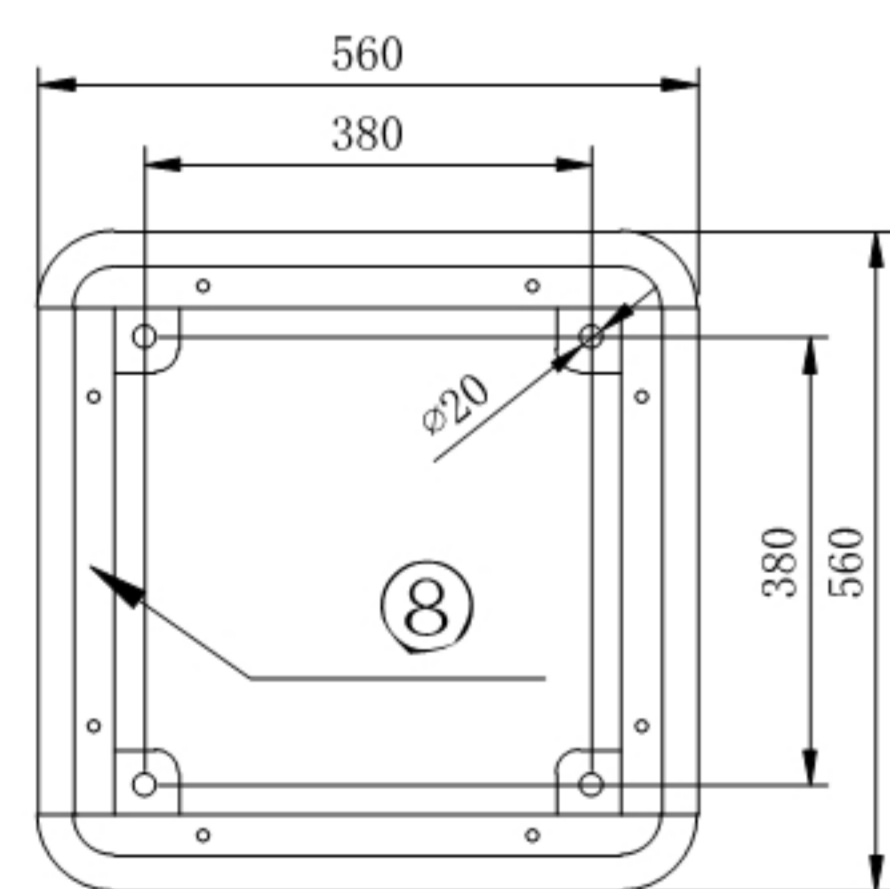
STEP FOUR



STEP FIVE



STEP SIX



Dimensional drawing of concrete anchors to be mounted on the ground: 380\*380mm

Included Fasteners:  
 M10\*30 SS socket head cap screws = 4pcs  
 M8\*20 SS socket head cap screws = 40pcs  
 M16\*150 Concrete anchors = 4pcs  
 M5\*12 pan head screws = 4pcs  
 Required Tools:  
 Hex(Allen) wrench: 8mm, 6mm  
 Box end wrench: 24mm  
 Phillips screw drive

1. Select a flat surface for mounting the bench frame (Item 13). Drill holes in mounting base (Item 14) in configuration shown as step 1 to accept concrete anchors. Secure expanding concrete anchors fully to holes and secure bench frame to ground using 24mm box end wrench.
2. Align the column (Item 11) to bolt holes in bench frame (Item 13). Secure the 4 screws (Item 12) using 8mm hex wrench.
3. Align bolt holes on the other end of the column (Item 11) with holes in the middle of the solar panel frame (Item 3) and secure with the 8 screws (Item 10) using 6mm hex wrench. Fix the top cover (item 2) onto the middle of the solar panel frame (item 3) and secure with the 4 screws (item 1) using phillips screw driver. Make sure the cables go through the column from the solar panel frame (item 3) to the electronic component enclosure (item 15) inside the bench frame (item 13). Connect the cables of light and solar panel according to the marks on each end.
4. Align the bench frame (Item 13) with the mounting base (Item 8) and secure the 8 screws (Item 7) using 6mm hex wrench.
5. Align the bench seat (Item 4) with holes on the side to the bench frame (Item 13) and secure the 6 screws (Item 5) using 6mm hex wrench.
6. Close the maintenance door (Item 6). Ensure all electronic components are connected and battery is turned on to complete installation.

**WEIYIN**  
**ADLIS**

WYC1801 INSTALLATION INSTRUCTION

